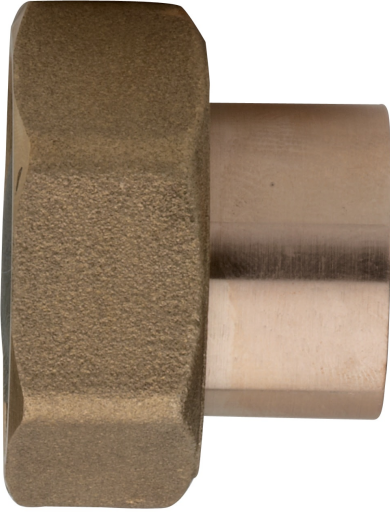
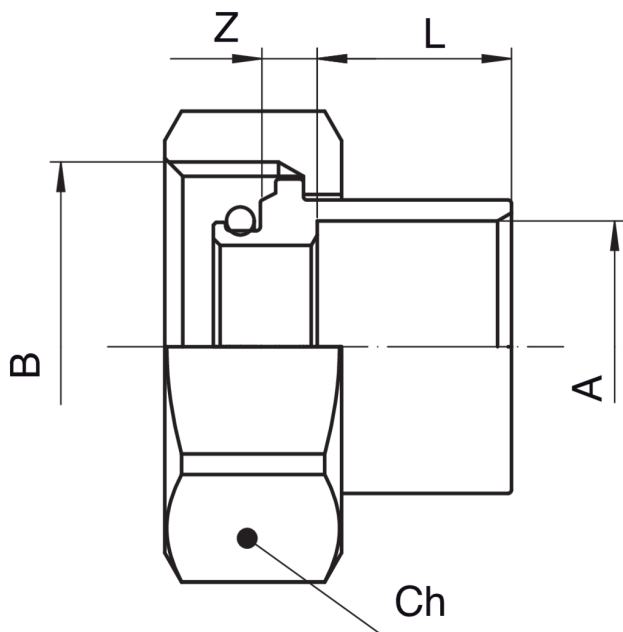


9365

Straight bronze fitting with gas euroconus seat.



Technical specifications



A X B	BOX	MASTER BOX	CODE	L	Z	CH
12 x 3/4"	20	160	9365120000	10	3,4	30
14 x 3/4"	20	160	9365140000	12	3,4	30
16 x 3/4"	20	160	9365160000	13	3,2	30
18 x 3/4"	20	160	9365180000	14	3,2	30
22 x 3/4"	20	160	9365220000	17	14,8	30

Applications



GAS