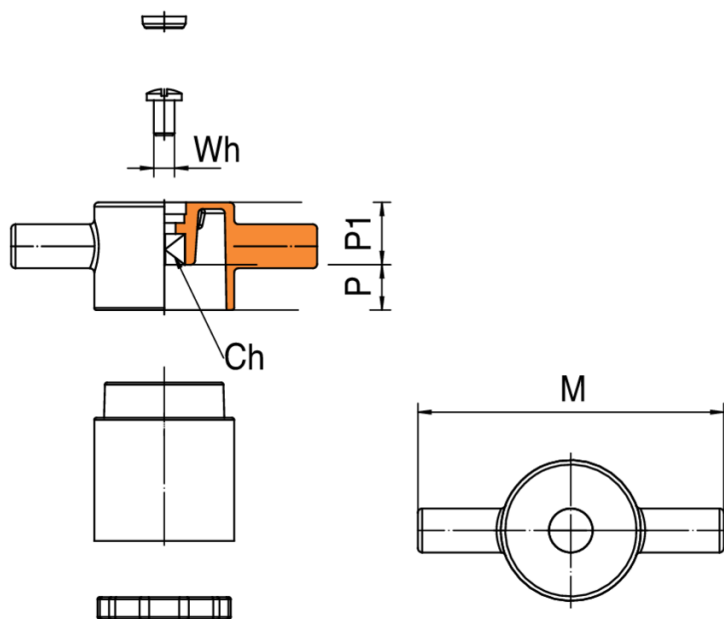


9358

Spare T-handle for valves art. 935C/936C.



Technical specifications



MISURE - SIZE	BOX	MASTER BOX	CODE	WH	CH	M	P	P1
TUTTE - ALL	10	80	9358000000	W 3/16	7	70	10,3	14,2

Applications



GAS

