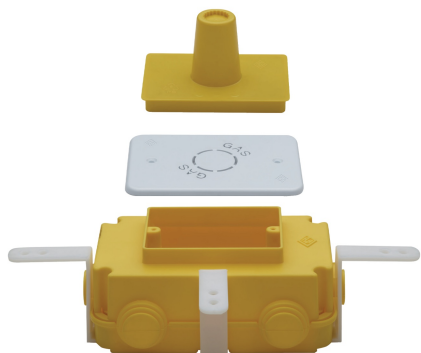
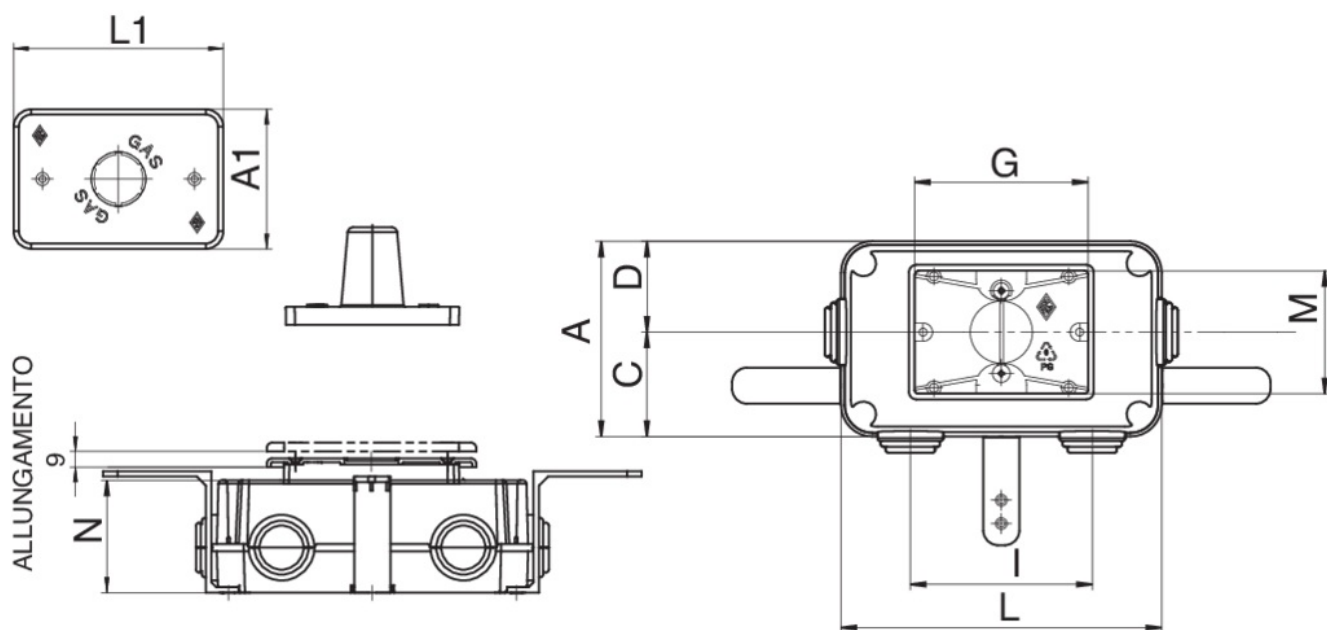


9363

Built-in box for fitting art. 9355.



Technical specifications



MISURA - SIZE	BOX	MASTER BOX	CODE	A	A1	C	D	G	I	L	L1	N	M
cm 17,8 x 10,9	1	6	9363000000	109	80	58	51	96,5	101	178	120	62,5	68,5

Applications



GAS

