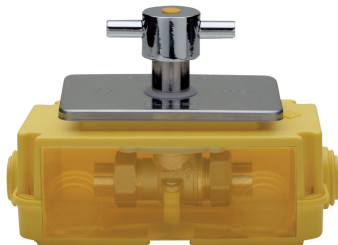


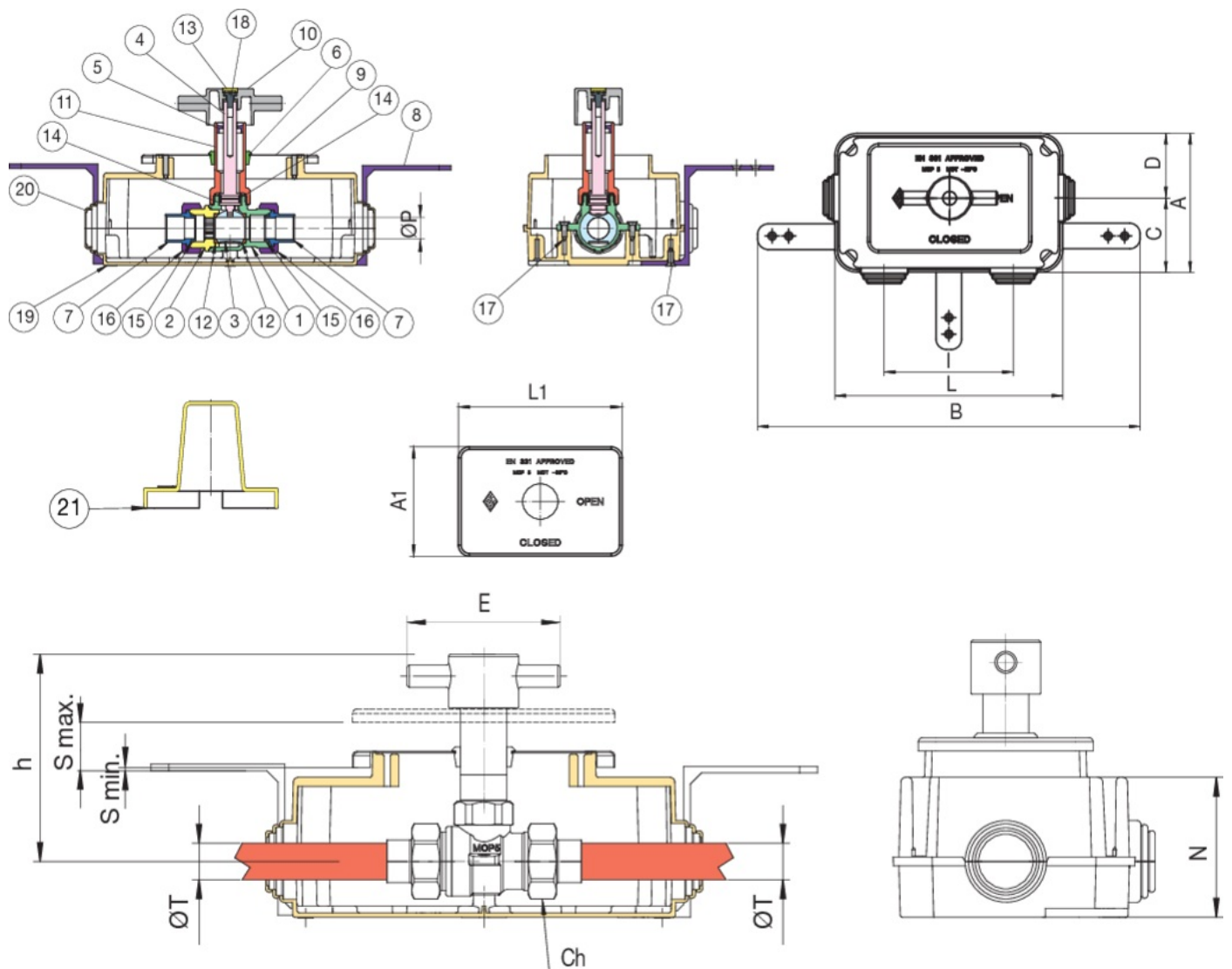
9380

PATENTED



Gas ball valve with built-in inspection box according to UNI 7129, UNI 11528 norms, copper pipe connections and control lever.

## Technical specifications



POSITION	PART NAME	MATERIAL	N.° PIECES
1	BODY	BRASS CW617N UNI EN 12165	1
2	END CONNECTION	BRASS CW614N UNI EN 12164	1
3	BALL	BRASS CW617N UNI EN 12165	1
4	STEM	BRASS CW614N UNI EN 12164	1
5	STEM RETAINING NUT	BRASS CW614N UNI EN 12164	1
6	LID SEAL	HDPE	1
7	FITTING	ZAMA/G Zn Al4 ALLOY	2
8	SUPPORT	POM	3
9	PLATE	STAINLESS STEEL AISI 430	1
10	T-HANDLE	ZAMA	1
11	SUPPORT	BRASS CW614N UNI EN 12164	1
12	BALL SEAT	PTFE	2
13	CAP	ABS	1
14	O-RING	NBR	2
15	O-RING	HNBR	2
16	NUT	BRASS CW617N UNI EN 12165	2
17	SCREW	STEEL	5
18	SCREW	BRASS CW614N UNI EN 12164	1
19	INSPECTION BOX	HIPS	1
20	INSPECTION BOX	HIPS	1
21	COVER	HIPS	1

SIZE	BOX	MASTER BOX	CODE	ØP	ØT	A	A1	B	C	D	E	H	L	CH	L	L1	N	S MIN	S MAX	KG
12	1	4	9380120000*	15	12	109	80	299	58	51	70	94,5	101	30	178	120	62,5	1,5	20,5	0,78
14	1	4	9380140000*	15	14	109	80	299	58	51	70	94,5	101	30	178	120	62,5	1,5	20,5	0,80
16	1	4	9380160000*	15	16	109	80	299	58	51	70	94,5	101	30	178	120	62,5	1,5	20,5	0,77
18	1	4	9380180000*	15	18	109	80	299	58	51	70	94,5	101	30	178	120	62,5	1,5	20,5	0,76
22	1	4	9380220000*	15	22	109	80	299	58	51	70	94,5	101	30	178	120	62,5	1,5	20,5	0,84

\***938 C** valve included.

## Applications



GAS