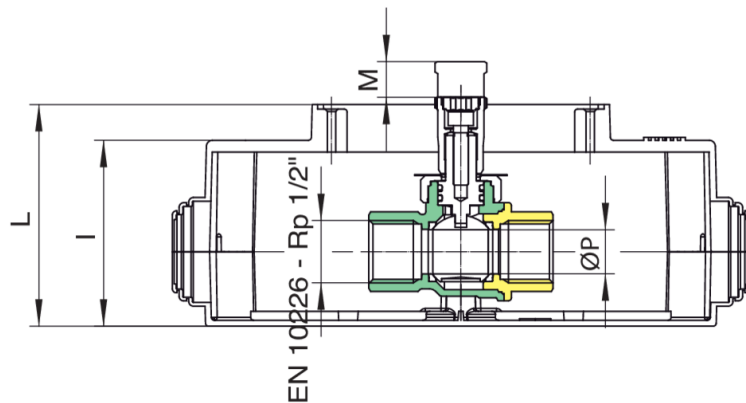


9398

Built-in ball valve for gas, inspection box acc. to UNI 7129, UNI 11528 specifications, with F/F connections.

Technical specifications



MISURA SIZE	DN	BOX	MASTER BOX	CODE	ØP	I	L	M*	KG
1/2"	15	1	6	9398040000	15	62,5	74,5	10	0,47

*Total extension 30mm: M + art.[9394](#).

Applications



GAS

