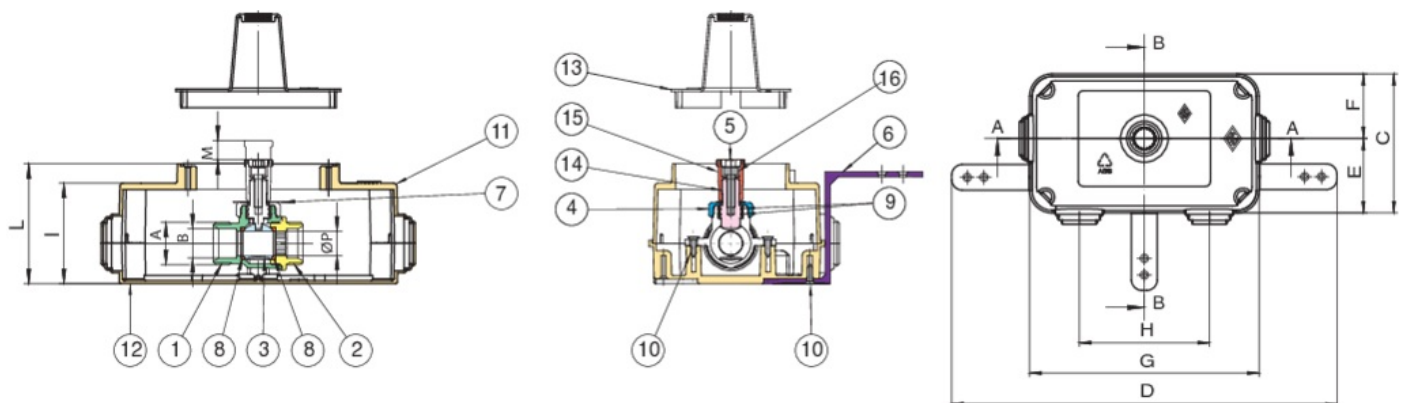


9390

PATENTED

Built-in ball valve for gas, eurocone connections and inspection box acc. to UNI 7129, UNI 11528 specifications.

Technical specifications



POSITION	PART NAME	MATERIAL	N.° PIECES
1	BODY	BRASS CW617N UNI EN 12165	1
2	END CONNECTION	BRASS CW614N UNI EN 12164	1
3	BALL	BRASS CW617N UNI EN 12165	1
4	STEM RETAINING NUT	BRASS CW614N UNI EN 12164	1
5	STEM RETAINING NUT	BRASS CW614N UNI EN 12164	1
6	SUPPORT	POM	3
7	PLATE	PA6	1
8	BALL SEAT	PTFE	2
9	O-RING	NBR	2
10	SCREW	STEEL	5
11	INSPECTION BOX	HIPS	1
12	INSPECTION BOX	HIPS	1
13	COVER	HIPS	1
14	STEM	BRASS CW614N UNI EN 12164	1
15	EXTENSION	BRASS CW614N UNI EN 12164	1
16	SCREW	STEEL	1

SIZE	DN	BOX	MASTER BOX	CODE	ØP	C	D	E	F	G	H	I	L	M**	KG
3/4 x Ø18	15	1	6	9390040000*	15	109	299	58	51	178	101	62,5	74,5	-	0,46

*[939 C](#) valve included.

**Total extension 30 mm: M + art.[9394](#).

Applications



GAS