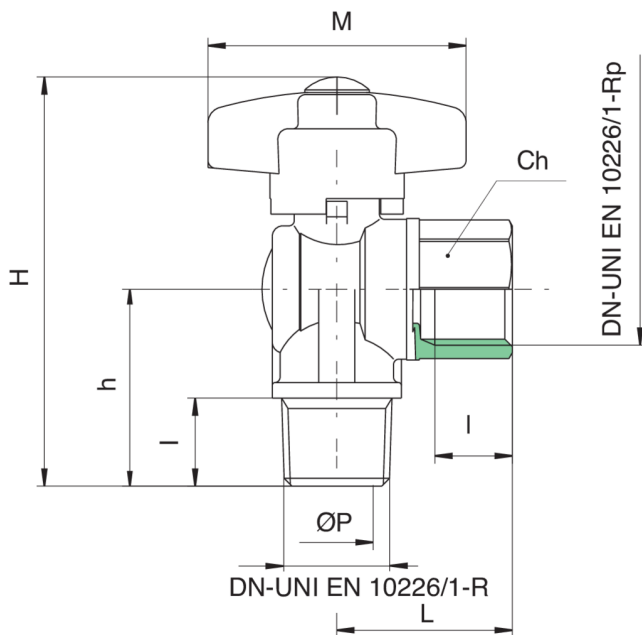


9186



Angle ball valve for gas, male threaded and flexible metal hose female connection acc. to UNI EN 14800, with security closing aluminium T-handle.

Technical specifications



| SIZE | DN | BOX | MASTER BOX | CODE | ØP | I | H | L | CH | H | M | MOP | KG |
|-------------|----|-----|------------|------------|------|----|------|----|----|----|----|-----|------|
| 1/2" x 1/2" | 15 | 20 | 80 | 9186250000 | 12,5 | 15 | 78,5 | 34 | 25 | 38 | 50 | 5 | 0,21 |

Temperature range: -20°C +60°C.

Applications



GAS

