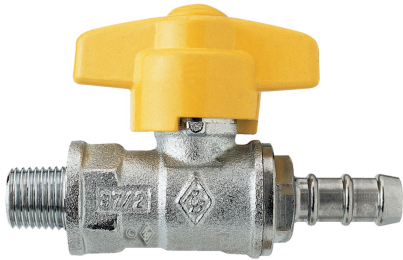
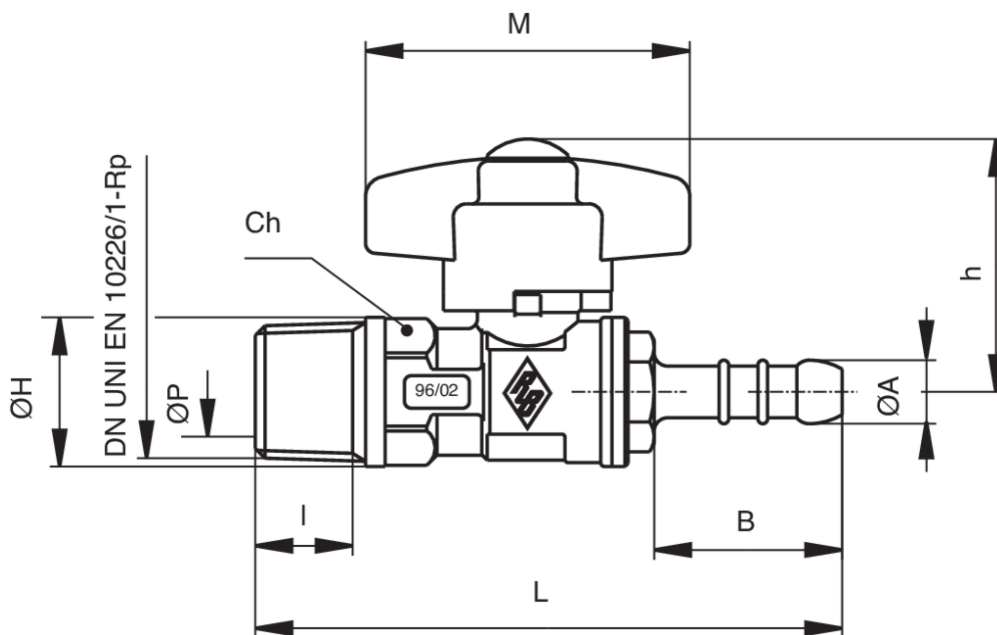


9181



Ball valve for gas, male threaded and hose tail connection, with security closing aluminium T-handle.

Technical specifications



SIZE	DN	BOX	MASTER BOX	CODE	ØP	I	B	L	ØA	CH	H	M	ØH	MOP	KG
1/4" x 11	8	25	50	9181810000	10	11	22	79	10,8	20	38,5	50	23	5	0,16
3/8" x 8*	10	25	50	9181820000	10	11,5	29	86,5	9,8	20	38,5	50	23	5	0,16
1/2" x 8*	15	15	90	9181870000	10	15	29	90,5	9,8	20	38,5	50	23	5	0,16
3/8" x 13*	10	25	50	9181850000	10	11,5	44	101,5	14	20	38,5	50	23	5	0,17
1/2" x 13*	15	10	60	9181900000	10	15	44	105,5	14	20	38,5	50	23	5	0,18

Temperature range: -20°C +60°C.

*Hose tail according to UNI-CIG 7142-20.

Applications



GAS