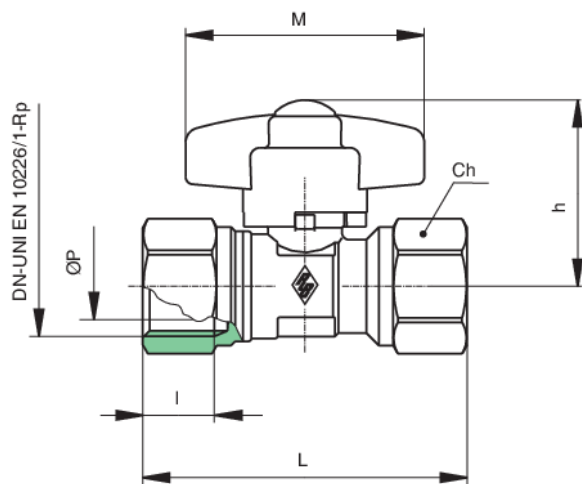
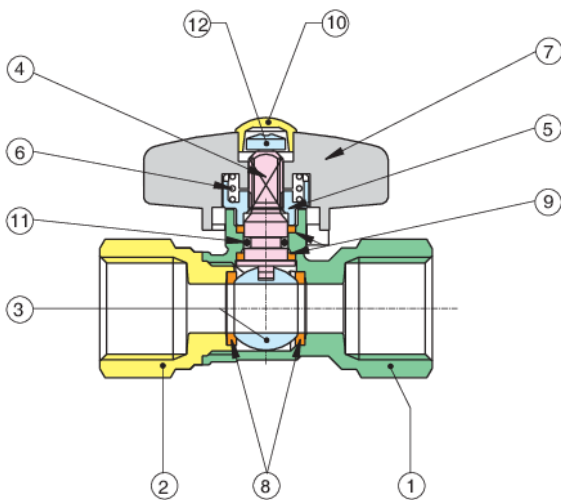


## 9170

Ball valve for gas, F/F threaded, with security closing aluminium T-handle.



### Technical specifications



POSITION	PART NAME	MATERIAL	N.° PIECES
1	BODY	BRASS CW617N UNI EN 12165	1
2	END CONNECTION	BRASS CW617N UNI EN 12165	1
3	BALL	BRASS CW614N UNI EN 12164	1
4	STEM	BRASS CW614N UNI EN 12164	1
5	STEM RETAINING NUT	BRASS CW617N UNI EN 12165	1
6	SPRING	STAINLESS STEEL AISI 302	1
7	T-HANDLE	ALUMINIUM EN-AC 46100 EN 1706	1
8	BALL SEAT	PTFE	2
9	STEM SEAL/THRUST WASHER	PTFE	2
10	CAP	ABS	1
11	O-RING	NBR	1
12	SCREW	BRASS CW614N UNI EN 12164	1

SIZE	DN	BOX	MASTER BOX	CODE	ØP	I	L	CH	H	M	MOP	KG
1/2"	15	15	90	9170040000	10	15	68	20	38,5	50	5	0,18

Temperature range: -20°C +60°C.

## Applications



GAS