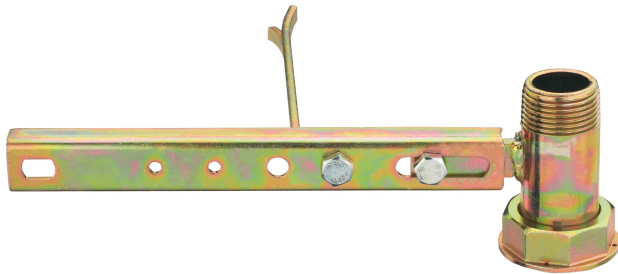


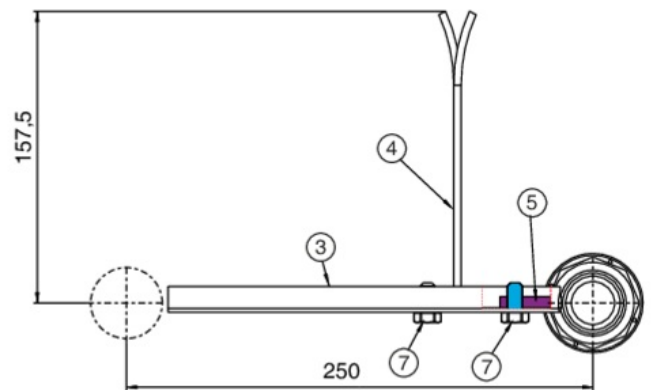
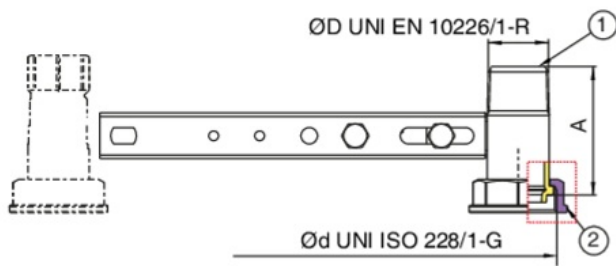
9F24



Steel cross beam, center distance 250 mm, with threaded union tail EN 10226-1 and wall up fixing plate.



Technical specifications



ØD X ØD	MASTER BOX	CODE	A
1" x 1"1/4	25	9F24290000	70,5

Applications



GAS

