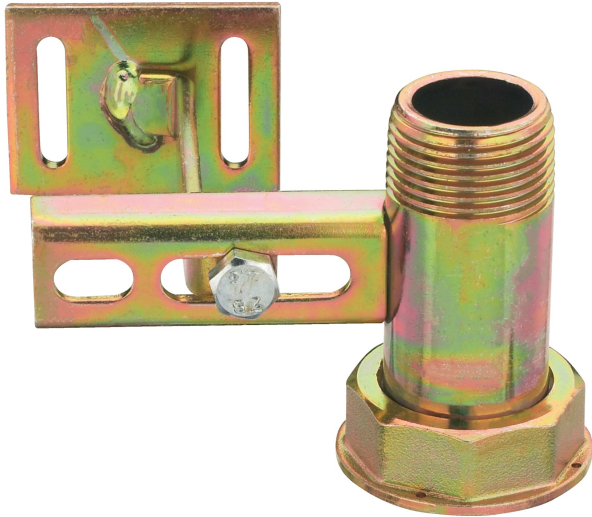
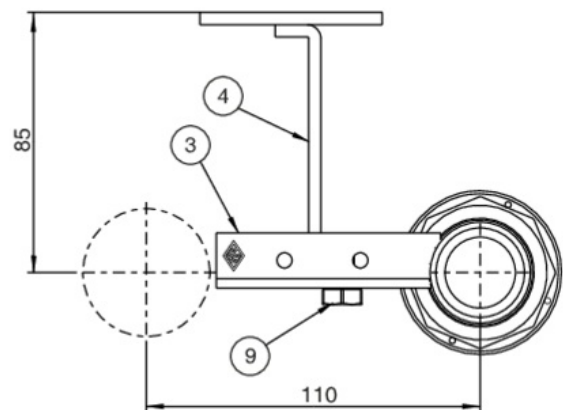
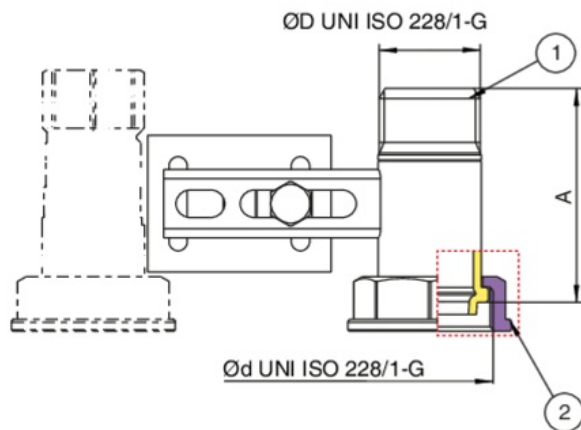


9F66

Steel cross beam, center distance 110 mm, with threaded union tail UNI ISO 228 and plate h.85 for raw plugs.



Technical specifications



ØD X ØD	MASTER BOX	CODE	A
1" x 1"1/4	25	9F66290000	70,5

Applications



GAS