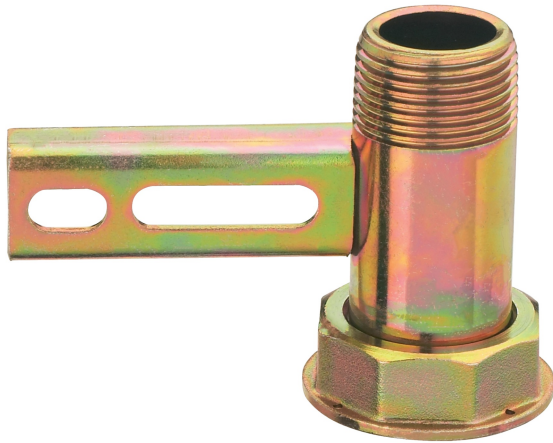


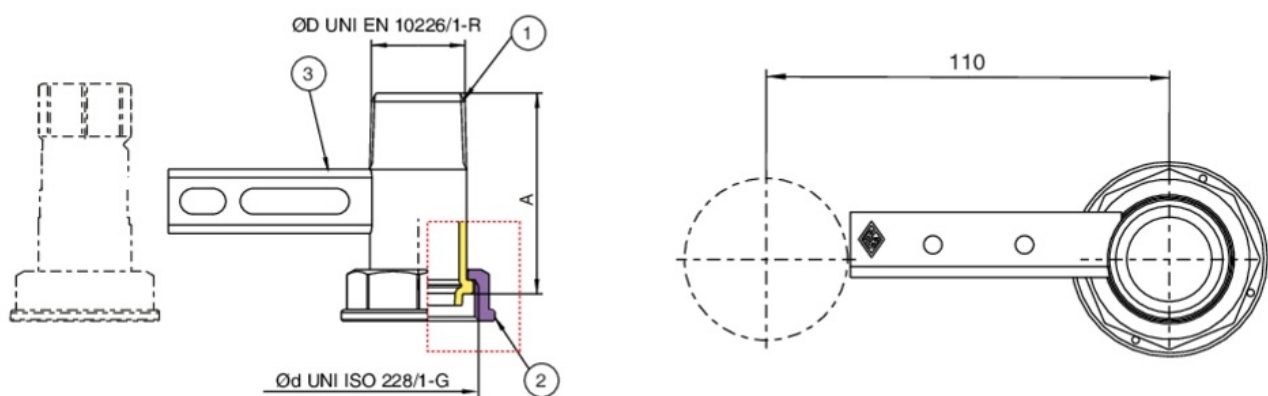
9F00



Steel cross beam, center distance 110 mm, with threaded union tail EN 10226-1, without fixing plate.



Technical specifications



POSITION	PART NAME	MATERIAL	TREATMENT	N.° PIECES
1	UNION TAIL	STEEL S235JR UNI EN 10025	ZINC TROPICALIZED	1
2	NUT	BRASS CW617N UNI EN 12165	ZINC TROPICALIZED	1
3	BEAM	STEEL S235JR UNI EN 10025	ZINC TROPICALIZED	1
4	SUPPORT	STEEL S235JR UNI EN 10025	ZINC TROPICALIZED	1
5	PLATE	STEEL UNI 7070	ZINC TROPICALIZED	1
6	NUT	STEEL	ZINC COATING	1
7	SCREW	STEEL	ZINC COATING	2

ØD X ØD	MASTER BOX	CODE	A
1/2" x 3/4"	25	9F00260000	63
1/2" x 1"1/4	25	9F00790000	74
1" x 1"1/4	25	9F00290000	70,5

Applications



GAS