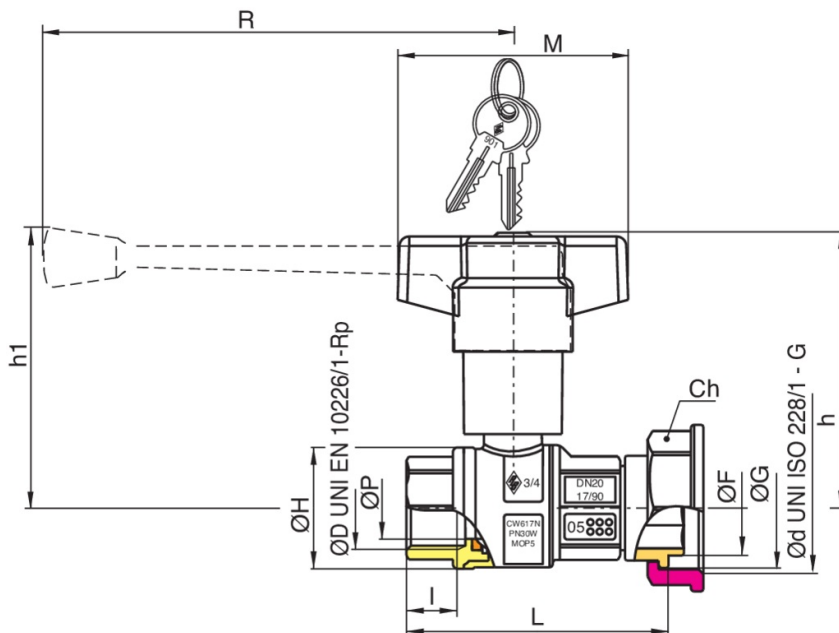




Full bore ball valve for gas, female thread with connection for gas meter, extractable and replaceable security lock.

Technical specifications



ØD X ØD	MASTER BOX	CODE	ØP	I	CH	ØH	L	H	H1	ØF	ØG	M	R	MOP	KG
3/4" x 1"1/4	25	9639280925	20	16,3	46	39	85,5	86	-	31	39,5	70	-	5	0,66
1" x 1"1/4	25	9639290925	25	19,1	46	49	102,5	90	-	31	39,5	70	-	5	0,86
*1"1/2 x 2"	5	9639690925	40	21,4	63	73	130	-	119	46	57	-	160	5	2,15
*2" x 2"1/2	5	9639700925	50	25,7	80	87	151	-	128	59	72,5	-	160	5	3,02

Temperature range: -20°C +60°C.

*Version with aluminium handle.

Applications



GAS



MULTIUTILITY ONLY