

CLICK-SFER

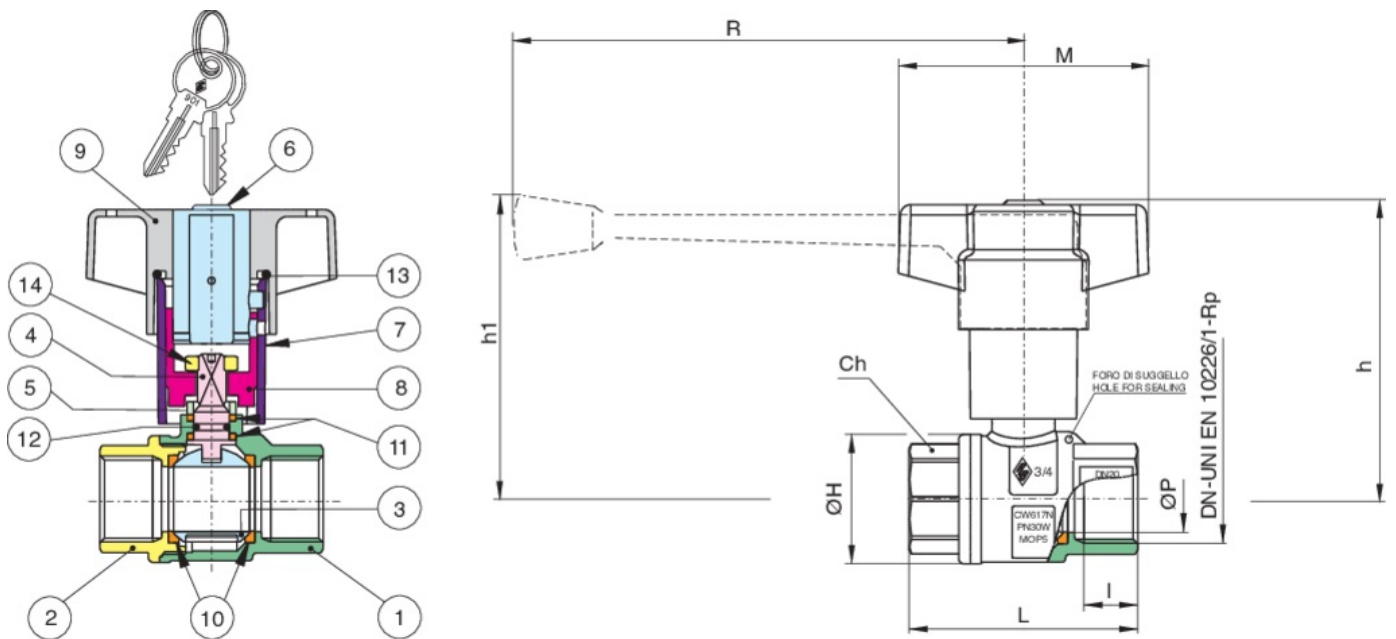
9646

PATENTED



Full bore ball valve for gas, F/F threads with aluminium T-handle and extractable and replaceable security lock.

Technical specifications



POSITION	PART NAME	MATERIAL	N.° PIECES
1	BODY	BRASS CW617N UNI EN 12165	1
2	END CONNECTION	BRASS CW617N UNI EN 12165	1
3	BALL	BRASS CW617N UNI EN 12165	1
4	STEM	BRASS CW614N UNI EN 12164	1
5	PACKING GLAND	BRASS CW614N UNI EN 12164	1
6	LOCK PROTECTION	PA6	1
7	CAP	ZAMA - Al Zn Mg ALLOY UNI 1774	1
8	CAP	ZAMA - Al Zn Mg ALLOY UNI 1774	1
9	T-HANDLE	ALUMINIUM EN-AC 46100 EN 1706	1
10	BALL SEAT	PTFE	2
11	STEM SEAL/THRUST WASHER	PTFE	2
12	O-RING	NBR	1
13	O-RING	MVQ	1
14	DADO	STEEL CL 04	1

SIZE	DN	BOX	MASTER BOX	CODE	ØP	I	CH	ØH	L	H	H1	M	R	MOP	KG
3/4"	20	-	25	9646050925	20	16,3	31	39	69	86	-	70	-	5	0,48
1"	25	-	25	9646060925	25	19,1	38	49	83	90	-	70	-	5	0,66
1"1/4*	32	5	10	9646070925	32	21,4	48	59	96	-	113	-	160	5	1,16
1"1/2*	40	5	10	9646080925	40	21,4	54	73	108	-	119	-	160	5	1,71
2**	50	-	5	9646100925	50	25,7	67	87	127,5	-	128	-	160	5	2,31

Temperature range: -20°C +60°C.

\*Version with aluminium handle.

## Applications

