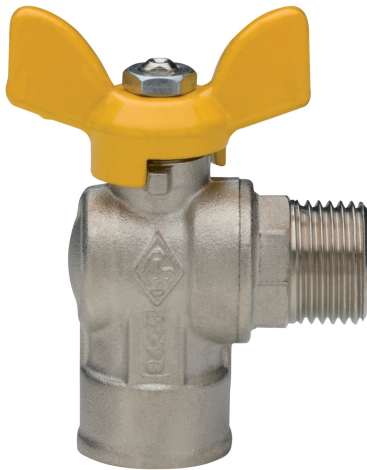
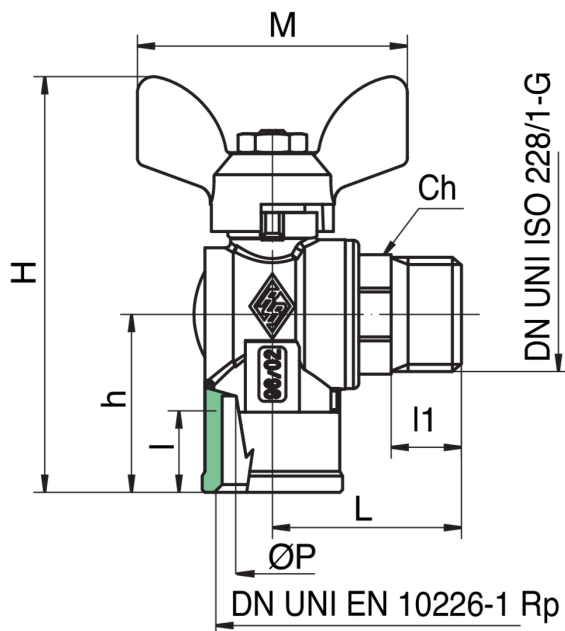


9090

Angle ball valve for gas, female threaded and male connection flexible metal hose acc. to UNI EN 14800 with aluminium T-handle.



Technical specifications



SIZE	DN	BOX	MASTER BOX	CODE	ØP	l	l1	L	H	H	CH	M	MOP	KG
1/2" x 1/2"	15	20	80	9090040000	15	15	13	35	76,5	32,8	22	50	5	0,20

Temperature range: -20°C +60°C.

Applications



GAS