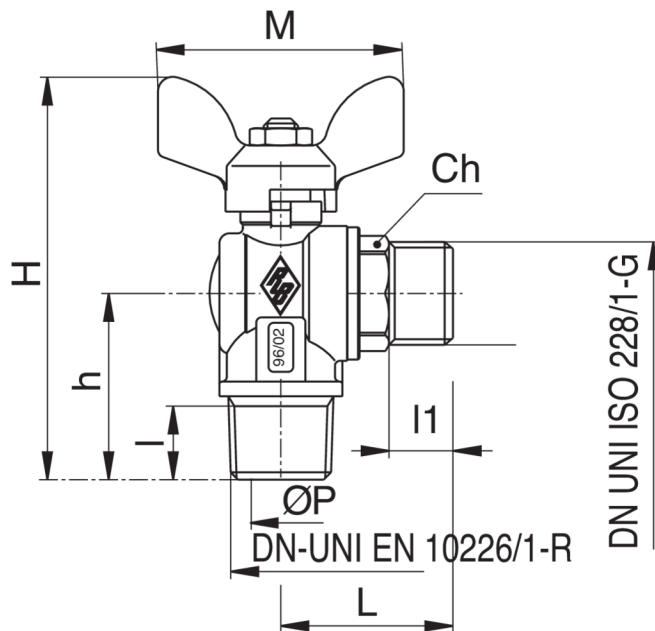


9087



Angle ball valve for gas, male threaded and male connection for flexible metal hose acc. to UNI EN 14800 with aluminium T-handle.

Technical specifications



SIZE	DN	BOX	MASTER BOX	CODE	ØP	I	I1	L	H	H	CH	M	MOP	KG
1/2" x 1/2"	15	20	80	9087250000	12,5	15	13	35	82	38	22	50	5	0,20

Temperature range: -20°C +60°C.

Applications



GAS