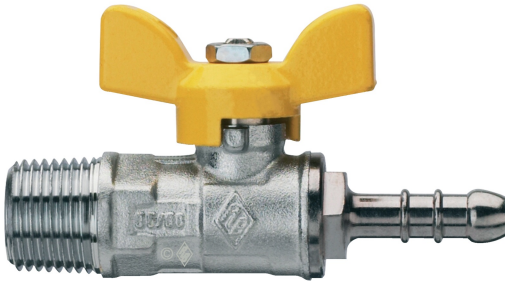
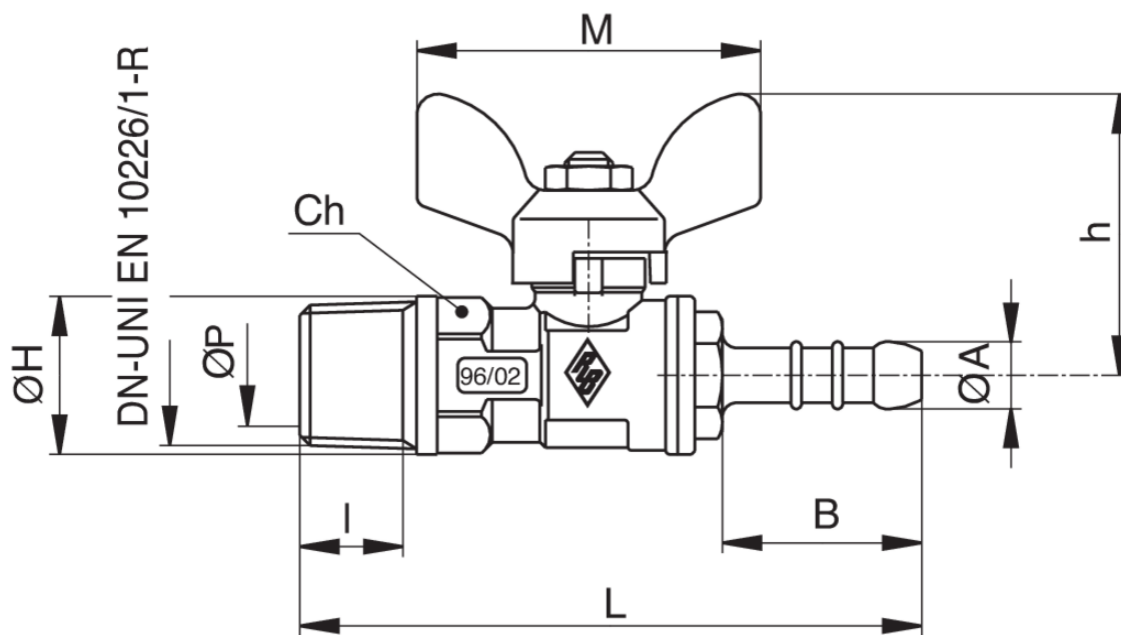


9081



Ball valve for gas, male threaded and hose tail connection, with aluminium T-handle.

Technical specifications



SIZE	DN	BOX	MASTER BOX	CODE	ØP	I	B	L	ØA	CH	H	M	MOP	KG
1/4" x 11	8	20	120	9081810000	7,5	11	22	79	10,8	20	42	50	5	0,14
3/8" x 8*	10	20	80	9081820000	10	11,5	29	86,5	9,8	20	42	50	5	0,15
1/2" x 8*	15	20	80	9081870000	10	15	29	90,5	9,8	20	42	50	5	0,15
3/8" x 13*	10	20	120	9081850000	10	11,5	44	101,5	14	20	42	50	5	0,16
1/2" x 13*	15	20	80	9081900000	10	15	44	105,5	14	20	42	50	5	0,17

Temperature range: -20°C +60°C.

*Hose tail according to UNI-CIG 7141-92.

Applications



GAS