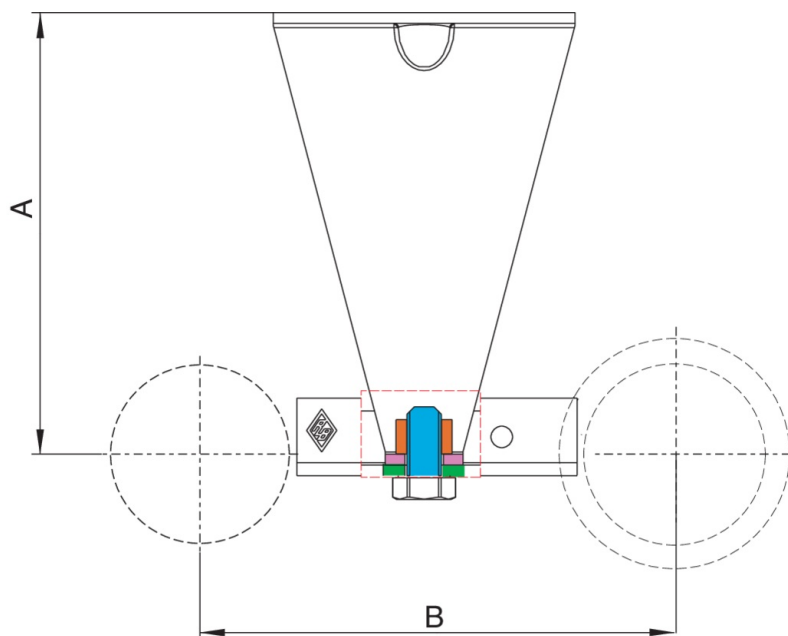


9F91

Steel cross beam, center distance 110 mm, for assembly of valves before and after gas meter.



Technical specifications



SIZE	MASTER BOX	CODE	A	B
STANDARD	25	9F91000000	102,5	110

Applications



GAS