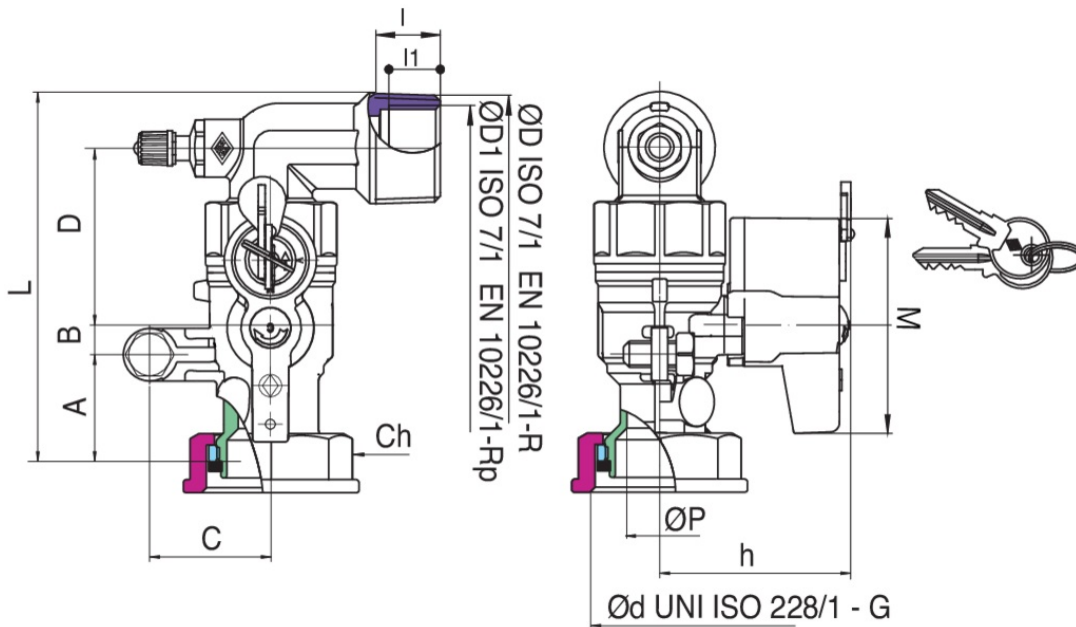


9494



Full bore ball valve, after the meter, nut for direct connection to the meter, (360°) rotating male outlet, with pressure measurement safety connection and safety lock.

Technical specifications



ØD X ØD	MASTER BOX	CODE	ØD1	ØP	I	I1	CH	L	H	A	B	C	D	E	M	MOP	KG
1" x 1"1/4	25	9494290075	3/4"	20	19,1	16,3	46	117,5	61,5	32,5	9	37	58,5	50	71	5	0,83

Temperature range: -20°C +60°C.

Applications



GAS