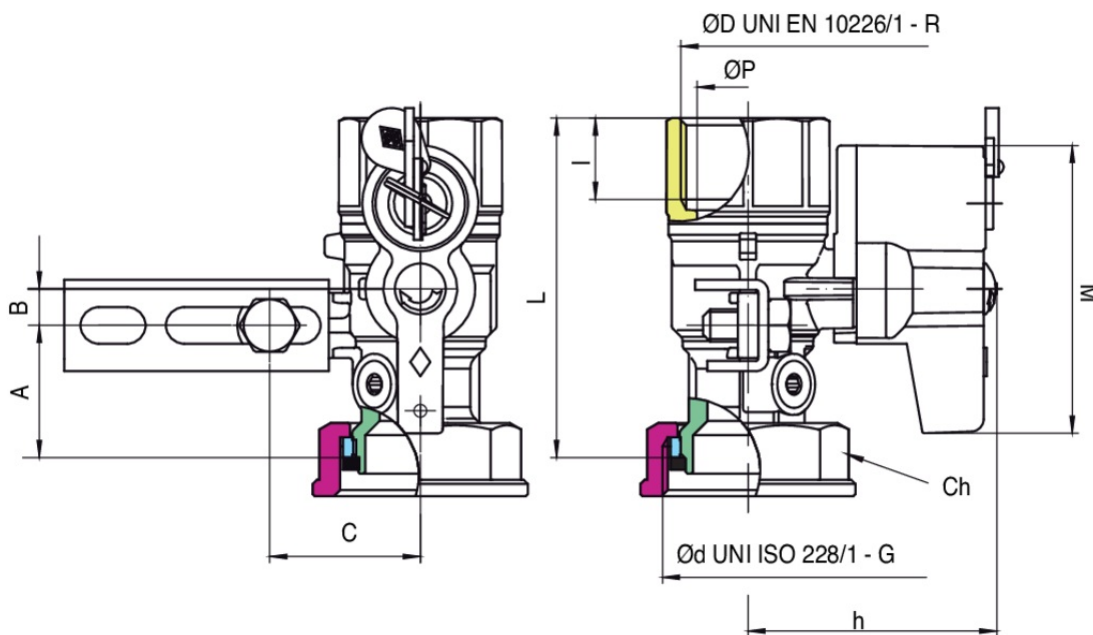


9493

Full bore straight ball valve, after meter, with female nut for direct connection, pressure measurement connection, female thread and safety lock.



Technical specifications



ØD X ØD	MASTER BOX	CODE	ØP	I	CH	L	H	A	B	C	M	MOP	KG
1" x 1"1/4	25	9493290075	20	19,1	46	83,5	61	32,5	9	37	71	5	0,64

Temperature range: -20°C +60°C.

Applications



GAS