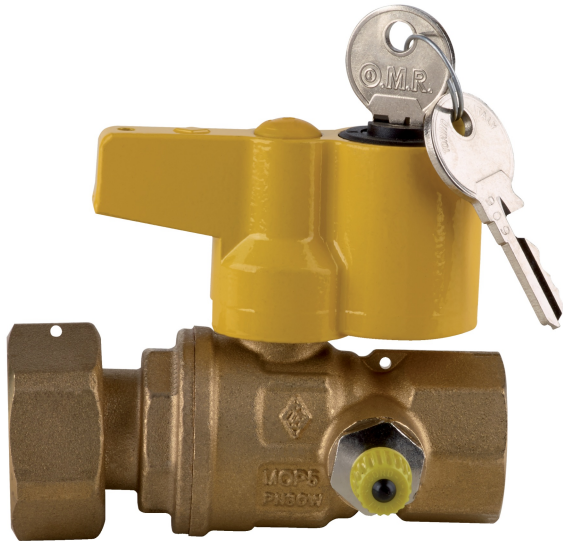
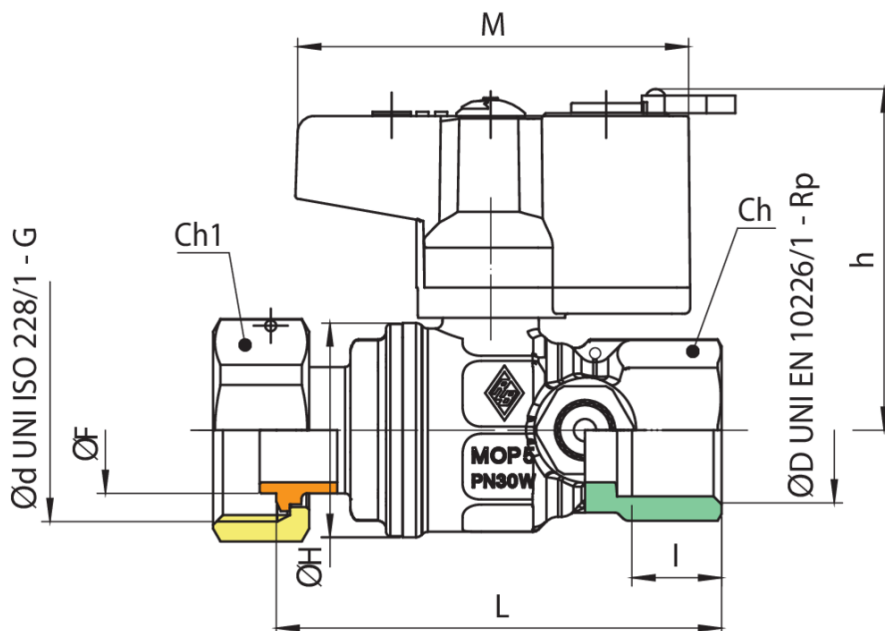


9482



Full bore ball valve, straight, after the meter with pressure measurement point, connections nut 1"/female threads and safety lock.

## Technical specifications



ØD X ØD	DN	MASTER BOX	CODE	I	L	ØH	CH	CH1	H	ØF	M	MOP	KG
3/4" x 1"	20	25	9482580075	16,3	81	39	31	37	62	23	71	5	0,51

Temperature range: -20°C +60°C.

# Applications

---



GAS