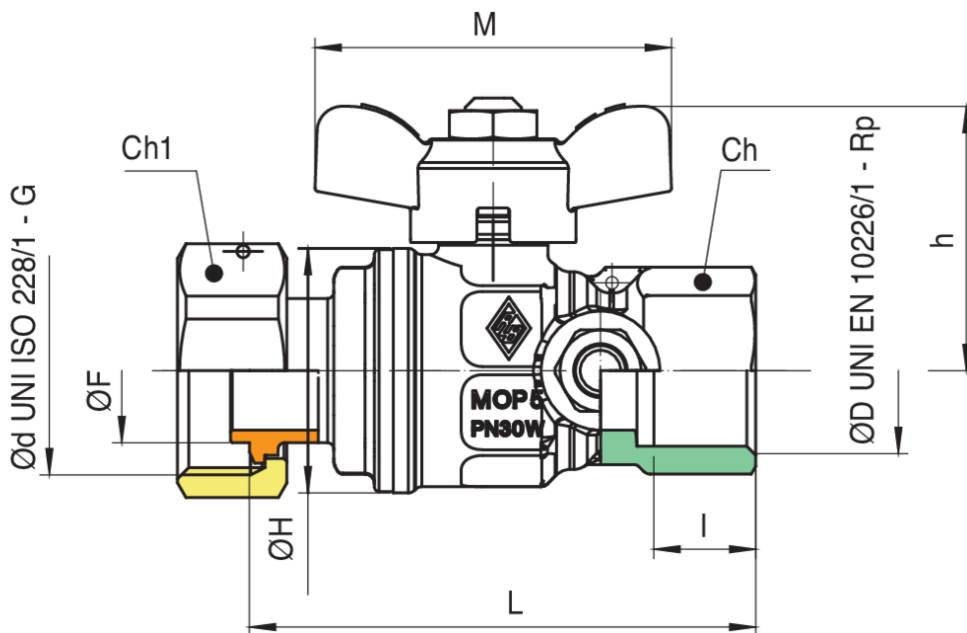


9082

Full bore ball valve , straight, after the meter with pressure measurement point, connections nut 1"/female threads and T-handle.



Technical specifications



ØD X ØD	DN	BOX	MASTER BOX	CODE	I	L	ØH	CH1	CH	H	ØF	M	MOP	KG
3/4" x 1"	20	10	20	9082580000	16,3	81	39	37	31	42	23	57	5	0,44

Temperature range: -20°C +60°C.

Applications



GAS