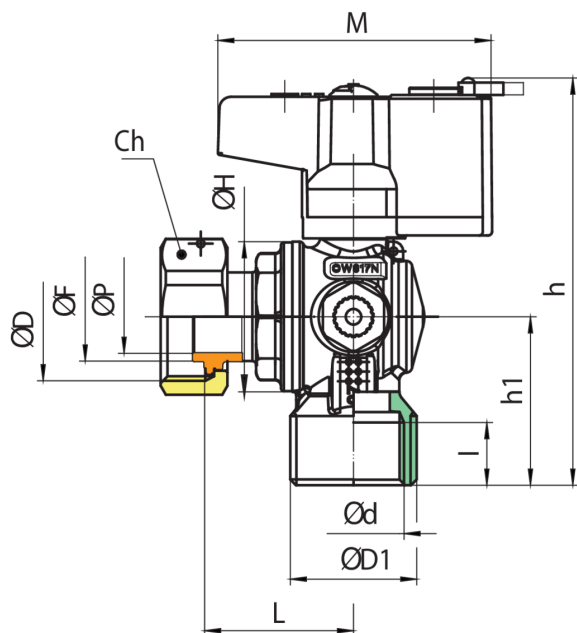


9479

Full bore ball valve, square, after the meter with pressure measurement point, connections nut 1" and double F/M threads and safety lock.



Technical specifications



ØD X ØD	DN	MASTER BOX	CODE	ØD1	ØP	I	L	ØH	H	H1	CH	ØF	M	MOP	KG
1" x 3/4"	20	25	9479580075	1"	19	16,3	39	39	105,5	43,8	37	23	71	5	0,49

Temperature range: -20°C +60°C.

Applications



GAS