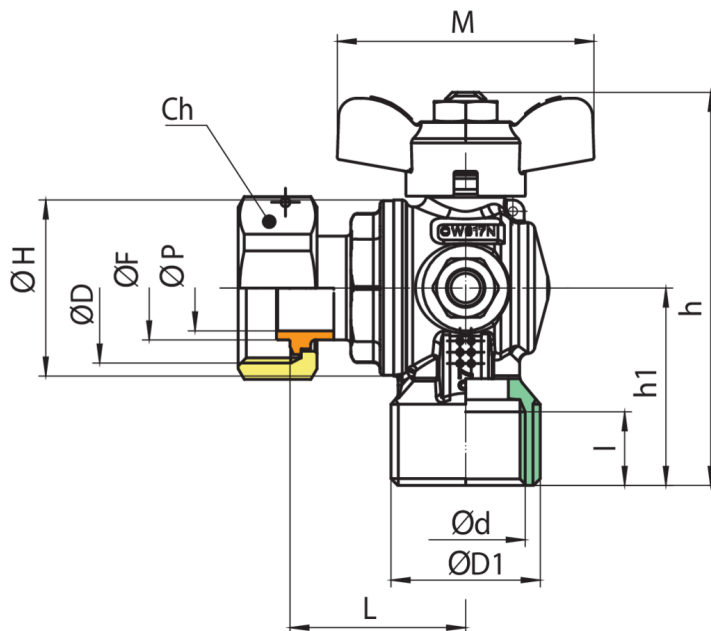


## 9079



Full bore ball valve, square, after the meter with safety pressure measurement point, connections nut 1" and double F/M threads and T-handle.

### Technical specifications



ØD X ØD	DN	BOX	MASTER BOX	CODE	ØD1	ØP	I	L	ØH	H	H1	CH	ØF	M	MOP	KG
1" x 3/4"	20	10	20	9079580000	1"	19	16,3	39	39	87	43,8	37	23	57	5	0,41

Temperature range: -20°C +60°C.

# Applications

---



GAS