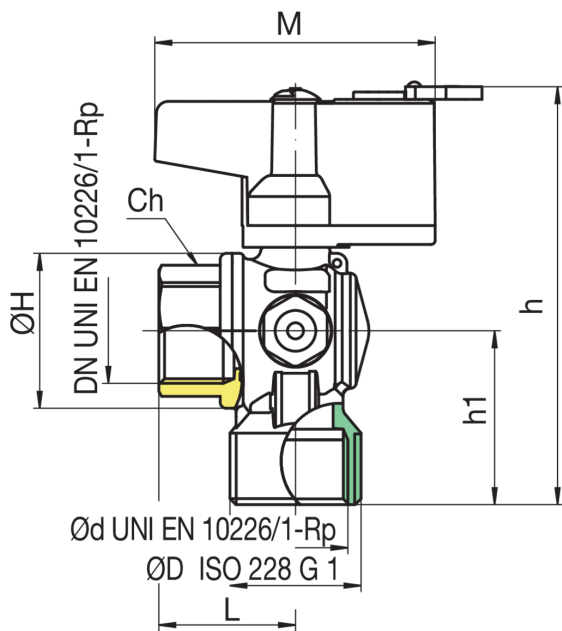


9498

Full bore ball valve, square, after the meter with pressure measurement safety connection, female/double thread F/M wit security lock.



Technical specifications



SIZE	DN	MASTER BOX	CODE	ØD	ØD	L	ØH	H	H1	CH	M	MOP	KG
3/4"	20	25	9498580075	1"	3/4"	34,5	39	105,5	44	31	71	5	0,40
1"	25	25	9498300075	1"	3/4"	42	49	112	47	38	71	5	0,57

Temperature range: -20°C +60°C.

Applications



GAS