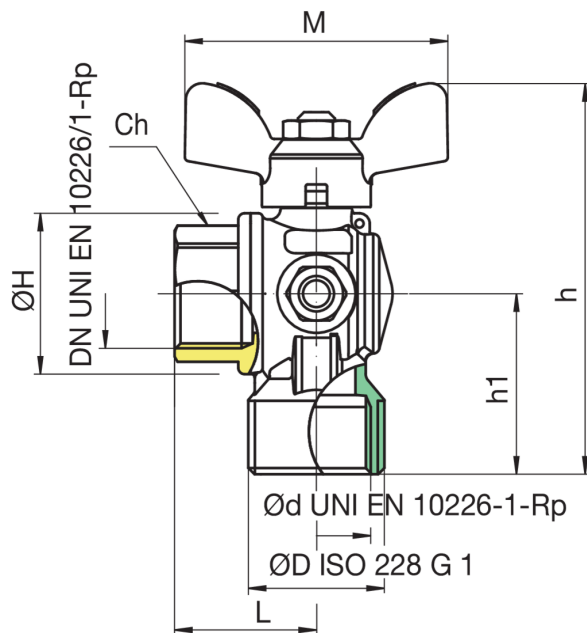


## 9098

Full bore ball valve, square, after the meter with pressure measurement connection, female/double thread F/M and T-handle.



### Technical specifications



SIZE	DN	BOX	MASTER BOX	CODE	ØD	ØD	L	ØH	H	H1	CH	M	MOP	KG
3/4"	20	10	20	9098580000	1"	3/4"	34,5	39	95	44	31	64	5	0,33
1"	25	10	20	9098300000	1"	3/4"	42	49	101	47	38	64	5	0,50

Temperature range: -20°C +60°C.

# Applications

---



GAS