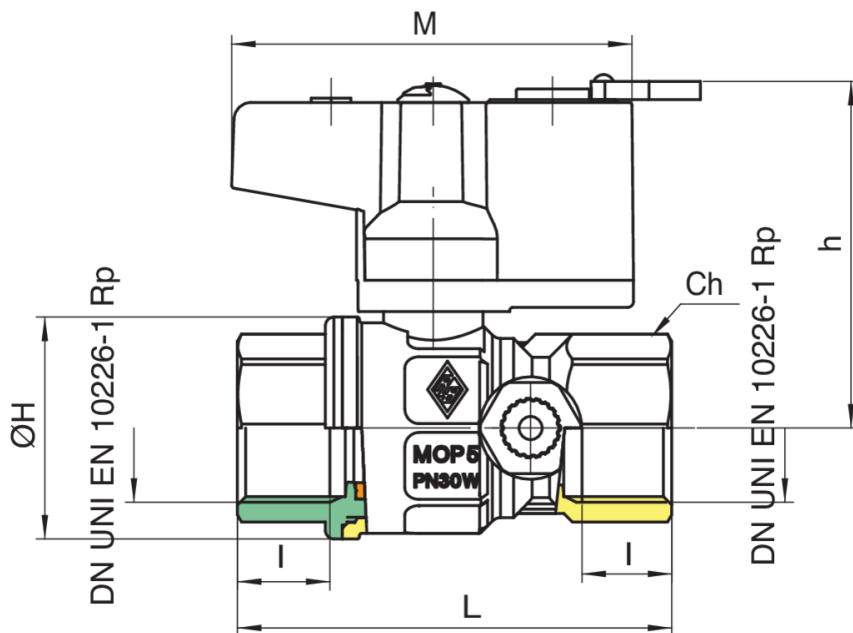


9499



Full bore ball valve, straight, after the meter with pressure measurement safety connection, F/F threaded, with security lock.

Technical specifications



SIZE	DN	MASTER BOX	CODE	I	CH	ØH	L	H	M	MOP	KG
3/4"	20	25	9499050075	16,3	31	39	76,5	61	70,5	5	0,44
1"	25	25	9499060075	19,1	38	49	91,5	64,5	70,5	5	0,64

Temperature range: -20°C +60°C.

Applications



GAS