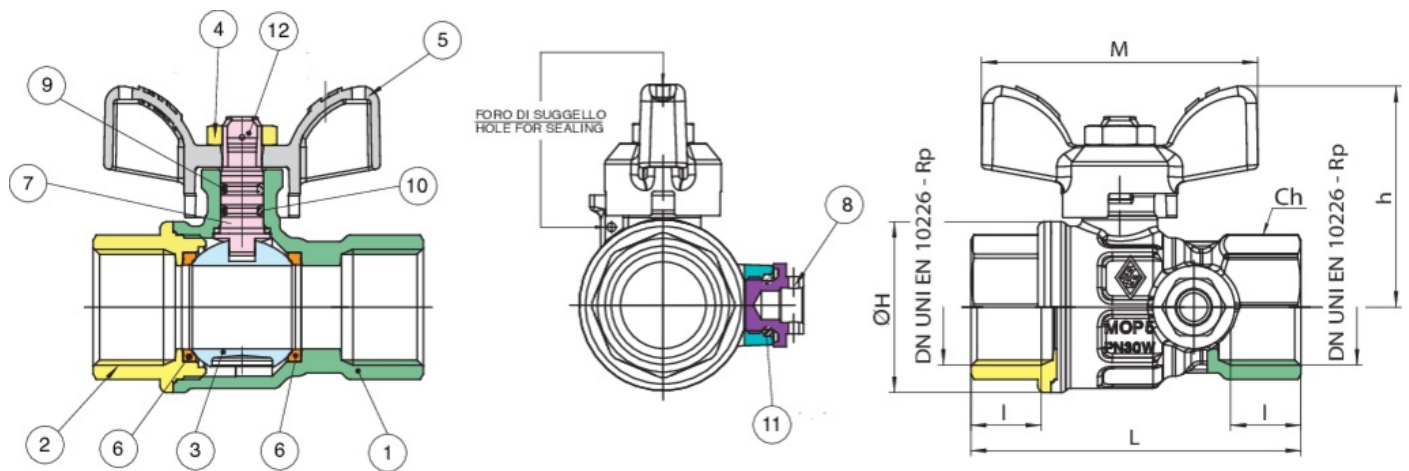




Full bore ball valve, straight, after the meter with lateral pressure measurement connection, F/F threaded and T-handle.

Technical specifications



POSITION	PART NAME	MATERIAL	N.° PIECES
1	BODY	BRASS CW617N UNI EN 12165	1
2	END CONNECTION	BRASS CW617N UNI EN 12165	1
3	BALL	BRASS CW617N UNI EN 12165	1
4	NUT	STEEL CL 04	1
5	T-HANDLE	ALUMINIUM EN-AC 46100 EN 1706	1
6	BALL SEAT	PTFE	2
7	STEM SEAL/THRUST WASHER	PTFE	1
8	CAP	BRASS CW614N UNI EN 12164	1
9	O-RING	FKM	1
10	O-RING	NBR	1
11	O-RING	NBR	1
12	STEM	BRASS CW614N UNI EN 12164	1

MISURE SIZE	BOX	MASTER BOX	CODE	I	CH	ØH	L	H	M	MOP	KG
3/4"	10	40	9099050000	16,3	31	39	76,5	51	64	5	0,36
1"	10	20	9099060000	19,1	38	49	91,5	54,5	64	5	0,54

Temperature range: -20°C +60°C.

*M/F version

Applications



GAS