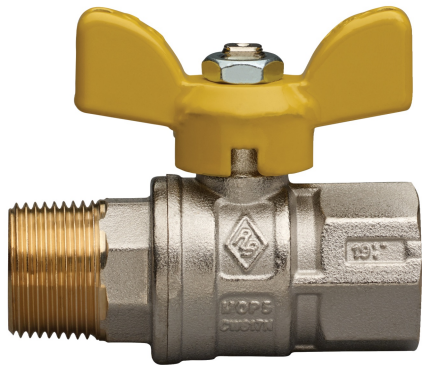
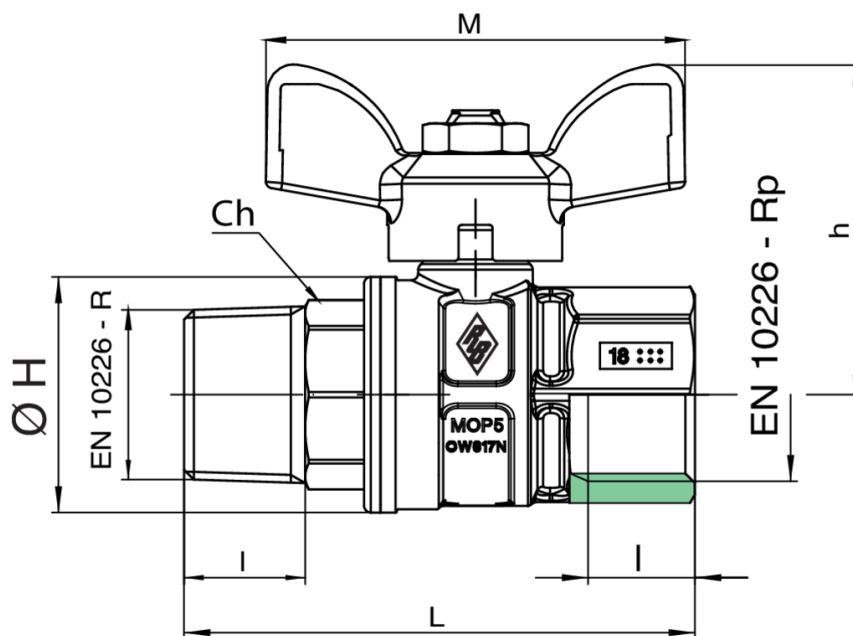


6276



Full bore ball valve for gas, M/F threaded, with aluminium T-handle.

Technical specifications



SIZE	DN	BOX	MASTER BOX	CODE	I	L	ØH	CH	M	H	MOP	KG
1/4**	8	20	80	9001020000	11	59	23	20	50	37,5	5	0,13
3/8**	10	20	80	9001030000	11,4	59,5	23	20	50	37,5	5	0,13
1/2"	15	20	80	6276040000	15	69	30	25	50	39,5	5	0,18
3/4"	20	10	40	6276050000	16,3	78	36	31	64	50,5	5	0,29
1"	25	10	20	6276060000	19,1	92,3	43,5	38	64	53	5	0,46

Temperature range: -20°C +60°C.

\* Art. [9001](#)

---

## Applications

---



GAS