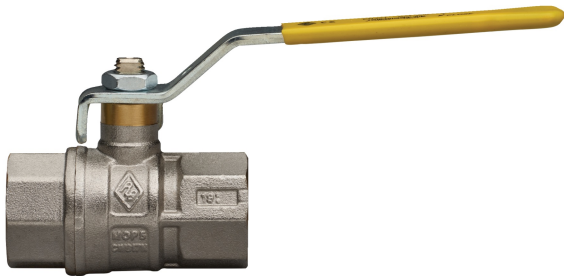
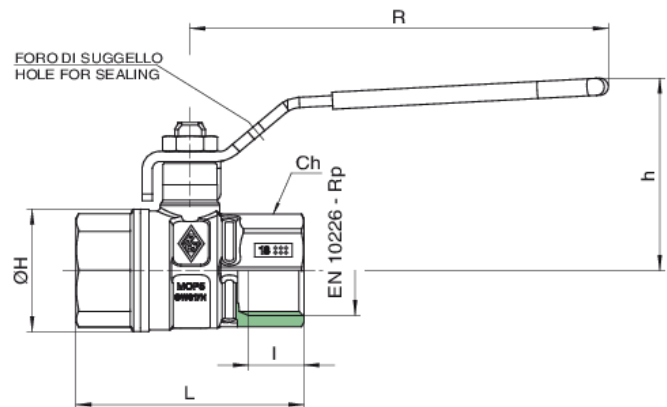
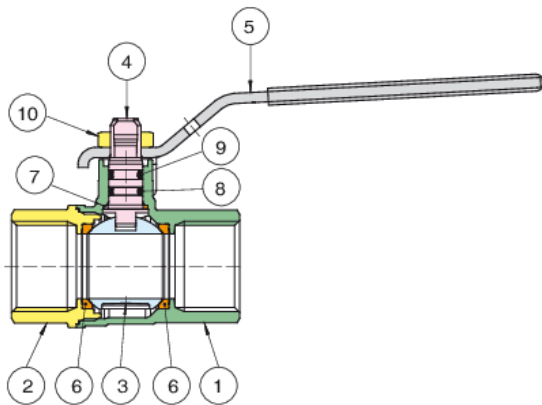


6273



Full bore ball valve for gas, F/F threaded, with yellow steel handle.

Technical specifications



POSITION	PART NAME	MATERIAL	N.° PIECES
1	BODY	BRASS CW617 UNI EN 12420	1
2	END CONNECTION	BRASS CW617 UNI EN 12420	1
3	BALL	BRASS CW617 UNI EN 12420	1
4	STEM	BRASS CW614N UNI EN12164-UNI EN12420	1
5	HANDLE	STEEL DD11 UNI EN 10111	1
6	BALL SEAT	PTFE	2
7	STEM SEAL/THRUST WASHER	PTFE	1
8	O-RING	NBR	1
9	O-RING	FKM	1
10	NUT	STEEL CL 04 UNI EN ISO 898	1

SIZE	DN	BOX	MASTER BOX	CODE	I	L	ØH	CH	R	H	MOP	KG
1/4**	8	20	80	5980020000	11	51,5	23	20	95	43	5	0,14
3/8**	10	20	80	5980030000	11,4	51,5	23	20	95	43	5	0,14
1/2"	15	20	80	6273040000	15	59	30	25	96	46	5	0,18
3/4"	20	10	40	6273050000	16,3	67	36	31	121	57	5	0,30
1"	25	10	20	6273060000	19,1	81,5	43,5	38	121	59	5	0,44
1"1/4	32	6	12	6273070000	21,4	94	53	48	151	74	5	0,77
1"1/2	40	4	8	6273080000	21,4	102,5	65	54	151	79	5	1,03
2"	50	2	4	6273100000	25,7	123	80	67	160	93,5	5	1,76
2"1/2*	65	2	4	5980120000	30,2	152	111	90	205	122	5	3,73
3**	80	0	4	5980140000	33,3	177	136	105	205	133	5	5,95
4**	100	0	2	5980180000	39,3	214	166	130	260	166	5	10,57

Temperature range: -20°C +60°C.

* Art. [5980](#)

Applications



GAS