

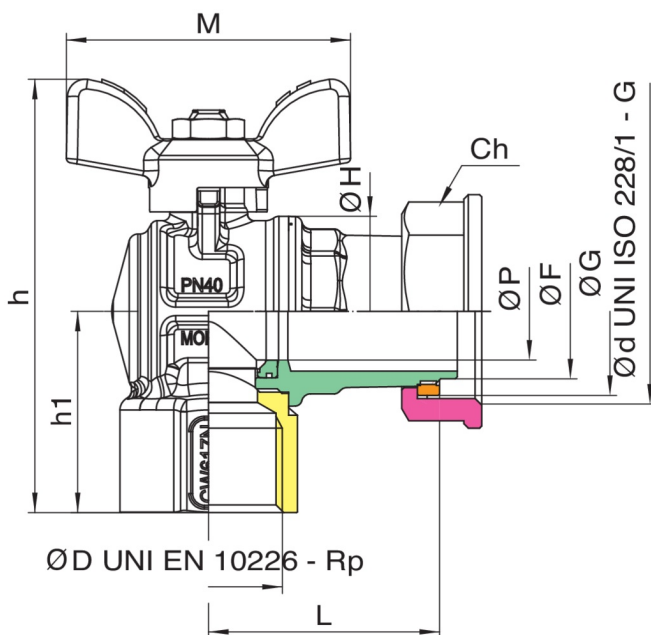
6737



Full bore angle ball valve for gas, female threaded/nut connection, with aluminium T-handle.



Technical specifications



ØD X ØD	DN	BOX	MASTER BOX	CODE	ØP	L	H	H1	CH	ØH	ØF	ØG	M	MOP	KG
1" x 1"1/4	25	6	12	6737290000	22	52	98	45,5	46	43	30,5	38	64	5	0,59

Temperature range: -20°C +60°C.

Applications



GAS