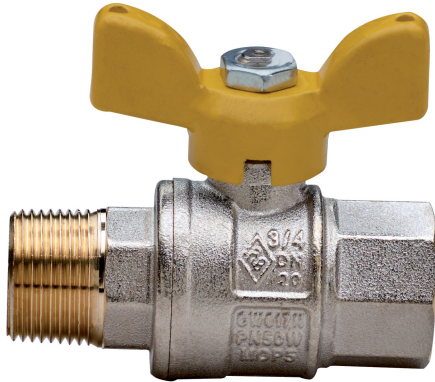
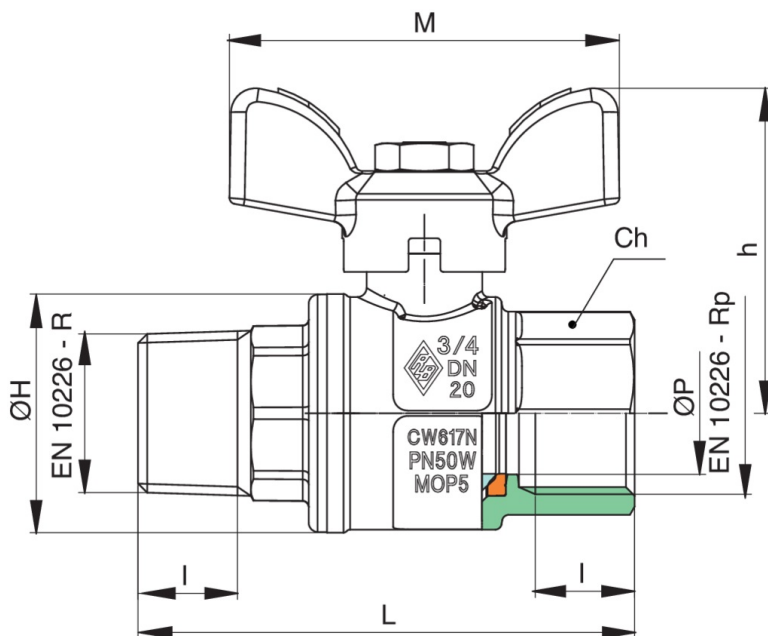


## 9001



Full bore ball valve for gas, M/F threaded, with aluminium T-handle.

### Technical specifications



SIZE	DN	BOX	MASTER BOX	CODE	ØP	I	L	ØH	CH	M	H	MOP	KG
1/4"	8	20	80	9001020000	10	11	59	23	20	50	37,5	5	0,13
3/8"	10	20	80	9001030000	10	11,4	59,5	23	20	50	37,5	5	0,13
1/2"	15	20	80	9001040000	15	15	72,5	33	25	50	41	5	0,21
3/4"	20	10	40	9001050000	20	16,3	81,5	39	31	64	53	5	0,35
1"	25	10	20	9001060000	25	19,1	94,5	49	38	64	57	5	0,53

Temperature range: -20°C +60°C.

## Applications



GAS