

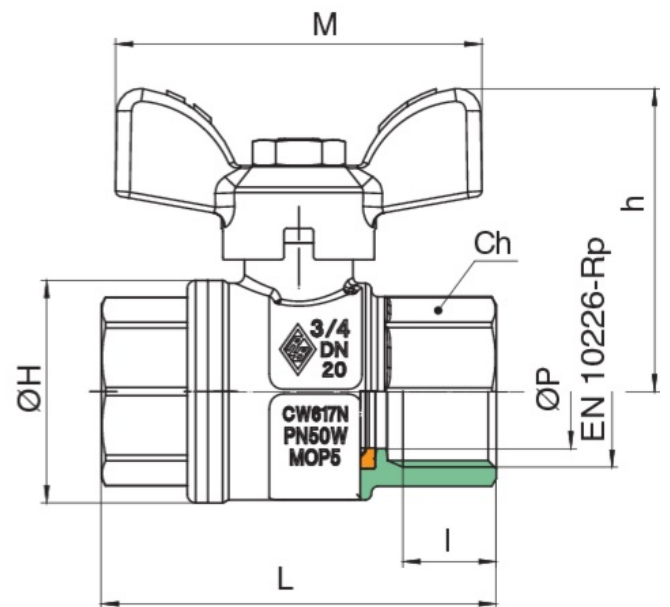
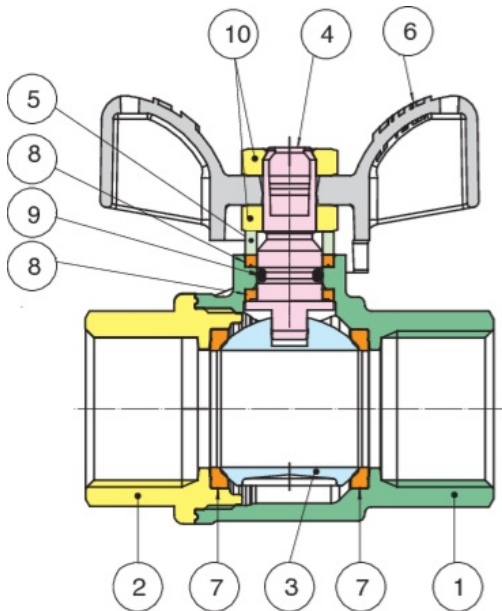
## FIDO-SFER

### 9000

Full bore ball valve for gas, F/F threaded, with aluminium T-handle.



### Technical specifications



POSITION	PART NAME	MATERIAL	N.° PIECES
1	BODY	BRASS CW617N UNI EN 12165	1
2	END CONNECTION	BRASS CW617N UNI EN 12165	1
3	BALL	BRASS CW617N UNI EN 12165	1
4	STEM	BRASS CW614N UNI EN 12164	1
5	PACKING GLAND	BRASS CW614N UNI EN 12164	1
6	T-HANDLE	ALUMINIUM EN-AC 46100 EN 1706	1
7	BALL SEAT	PTFE	2
8	O-RING	NBR	1
9	STEM SEAL/THRUST WASHER	PTFE	2
10	NUT	STEEL CL 04	2

SIZE	DN	BOX	MASTER BOX	CODE	ØP	I	L	ØH	CH	M	H	MOP	KG
1/4"	8	20	80	9000020000	10	11	51,5	23	20	50	37,5	5	0,14
3/8"	10	20	80	9000030000	10	11,4	51,5	23	20	50	37,5	5	0,12
1/2"	15	20	80	9000040000	15	15	62	33	25	50	41	5	0,19
3/4"	20	10	40	9000050000	20	16,3	69	39	31	64	53	5	0,32
1"	25	10	20	9000060000	25	19,1	83	49	38	64	57	5	0,50

Temperature range: -20°C +60°C.

## Applications



GAS