

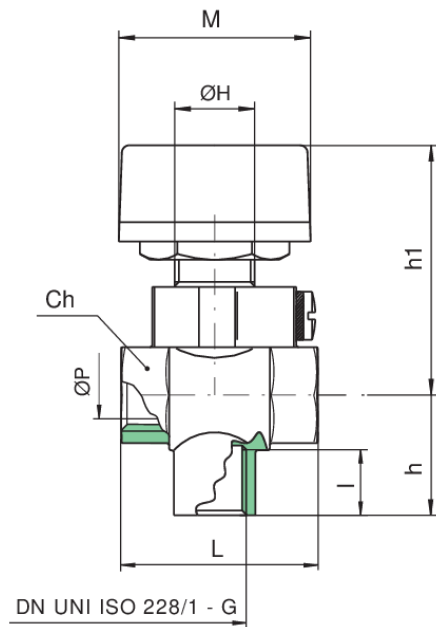
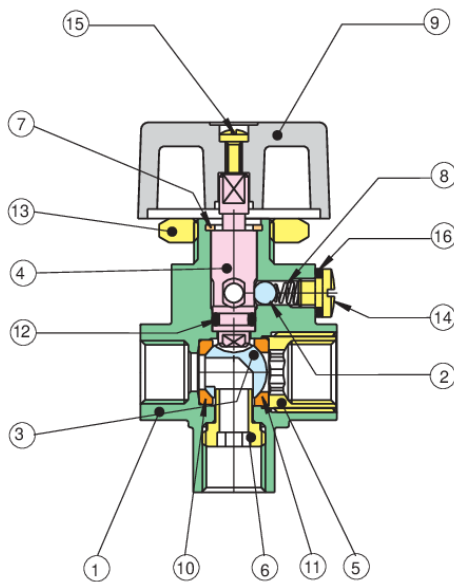
DEVIA-SFER

5710

Diverter ball valve for panel, female threaded and hand wheel.



Technical specifications



POSITION	PART NAME	MATERIAL	N.° PIECES
1	BODY	BRASS CW617N UNI EN 12165	1
2	BALL	STAINLESS STEEL INOX AISI 430	1
3	BALL	BRASS CW617N UNI EN 12165	1
4	STEM	BRASS CW614N UNI EN 12164	1
5	RING NUT	BRASS CW614N UNI EN 12164	1
6	RING NUT	BRASS CW617N UNI EN 12165	1
7	SEEGER	STAINLESS STEEL AISI 302	1
8	SPRING	STAINLESS STEEL AISI 302	1
9	WHEEL HANDLE	ABS	1
10	BALL SEAT	PTFE	1
11	BALL SEAT	PTFE	1
12	O-RING	FKM	1
13	NUT	BRASS CW617N UNI EN 12165	1
14	SCREW	BRASS CW614N UNI EN 12164	1
15	SCREW	STEEL DD11 UNI EN 10111	1
16	WASHER	STEEL DD11 UNI EN 10111	1

SIZE	DN	BOX	MASTER BOX	CODE	ØP	I	CH	ØH	M	L	H	H1	KV	PN	KG
1/4"	8	20	80	5710020000	8	10	20	17	40	41	25	52	2,2	10	0,20

Temperature range: -10°C +90°C.

Applications



DRINKING
WATER



HEATING



HVAC



COMPRESSED
AIR



INDUSTRIAL



MARINE