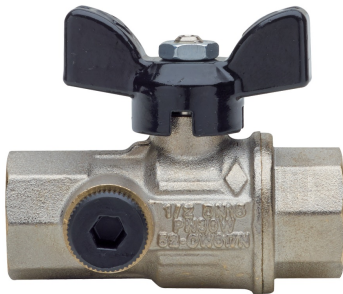
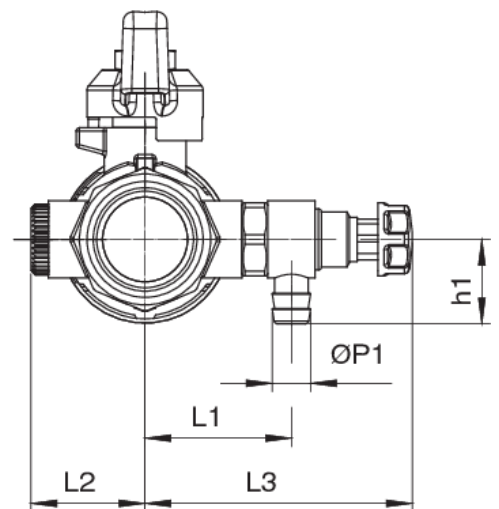
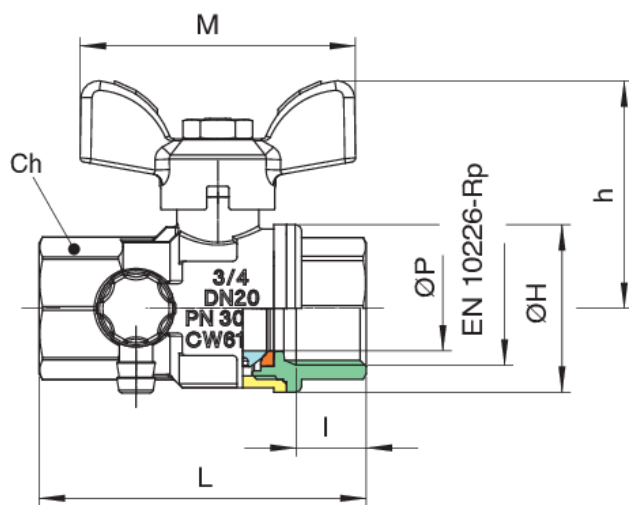


5220

Full bore ball valve, F/F threaded, with drain cock and aluminium T-handle.



Technical specifications



SIZE	DN	BOX	MASTER BOX	CODE	ØP	I	L	L1	L2	L3	ØH	H	H1	CH	M	ØP1	KV	PN	KG
1/2"	15	15	60	5220040000	15	15	68	31	23,5	59	33	42	19,5	25	50	9	16,3	30	0,27
3/4"	20	10	40	5220050000	20	16,3	76	34	26,5	62	39	53	19,5	31	64	9	29,5	30	0,38
1"	25	10	20	5220060000	25	19,1	90	37	29,5	65	49	57	19,5	38	64	9	43	30	0,56

Temperature range: -20°C +160°C.

Applications



DRINKING
WATER



HEATING



HVAC



COMPRESSED
AIR



INDUSTRIAL



MARINE

