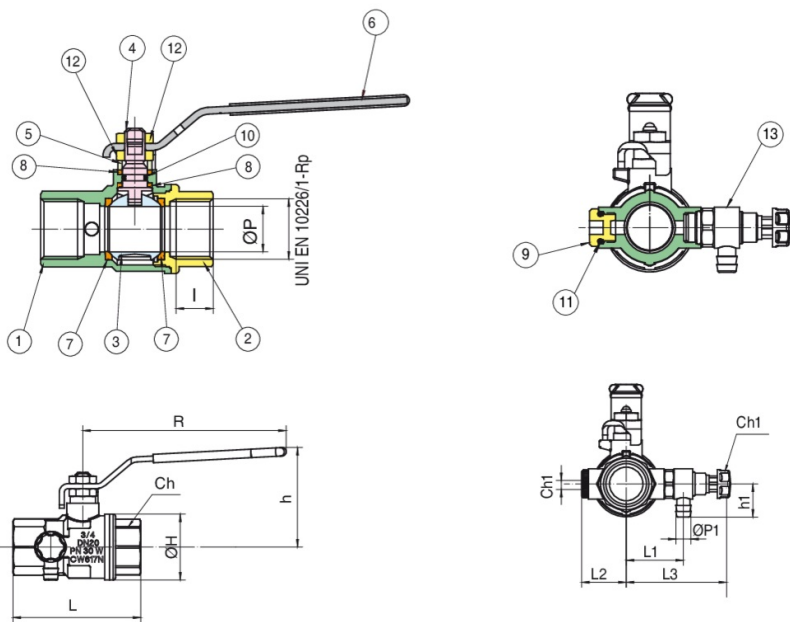


5210

Full bore ball valve, F/F threaded, with drain cock and steel handle.

Technical specifications



| POSITION | PART NAME | MATERIAL | N.° PIECES |
|----------|-------------------------|---------------------------|------------|
| 1 | BODY | BRASS CW617N UNI EN 12165 | 1 |
| 2 | END CONNECTION | BRASS CW617N UNI EN 12165 | 1 |
| 3 | BALL | BRASS CW617N UNI EN 12165 | 1 |
| 4 | STEM | BRASS CW614N UNI EN 12164 | 1 |
| 5 | PACKING GLAND | BRASS CW614N UNI EN 12164 | 1 |
| 6 | HANDLE | STEEL DD11 UNI EN 10111 | 1 |
| 7 | BALL SEAT | PTFE | 2 |
| 8 | STEM SEAL/THRUST WASHER | PTFE | 2 |
| 9 | CAP | PA6 | 1 |
| 10 | O-RING | NBR | 1 |
| 11 | O-RING | NBR | 1 |
| 12 | NUT | STEEL CL 04 | 2 |
| 13 | DRAIN COCK | BRASS CW614N UNI EN 12164 | 1 |

| SIZE | DN | BOX | MASTER BOX | CODE | ØP | I | L | L1 | L2 | L3 | ØH | H | H1 | CH | CH1 | R | ØP1 | KV | PN | KG |
|-------|----|-----|------------|------------|----|------|------|------|------|------|----|----|----|----|-----|-----|-----|------|----|------|
| 1/2" | 15 | 15 | 60 | 5210040000 | 15 | 15 | 68 | 28,5 | 23,5 | 59 | 33 | 46 | 20 | 25 | 6 | 95 | 9 | 16,3 | 30 | 0,28 |
| 3/4" | 20 | 10 | 40 | 5210050000 | 20 | 16,3 | 76 | 31,5 | 26,5 | 62 | 39 | 58 | 20 | 31 | 6 | 120 | 9 | 29,5 | 30 | 0,41 |
| 1" | 25 | 10 | 20 | 5210060000 | 25 | 19,1 | 83,5 | 34,5 | 29,5 | 65 | 49 | 62 | 20 | 38 | 6 | 120 | 9 | 43 | 30 | 0,60 |
| 1"1/4 | 32 | 6 | 12 | 5210070000 | 32 | 21,4 | 103 | 39 | 34 | 69,5 | 59 | 76 | 20 | 48 | 6 | 150 | 9 | 89 | 25 | 0,90 |
| 1"1/2 | 40 | 4 | 8 | 5210080000 | 40 | 21,4 | 115 | 45 | 40 | 45,5 | 73 | 82 | 20 | 54 | 6 | 150 | 9 | 230 | 25 | 1,32 |
| 2" | 50 | 2 | 4 | 5210100000 | 50 | 25,7 | 133 | 51 | 46 | 81,5 | 86 | 95 | 20 | 67 | 6 | 159 | 9 | 265 | 25 | 1,97 |

Temperature range: -20°C +160°C.

Applications



DRINKING
WATER



HEATING



HVAC



COMPRESSED
AIR



INDUSTRIAL



MARINE