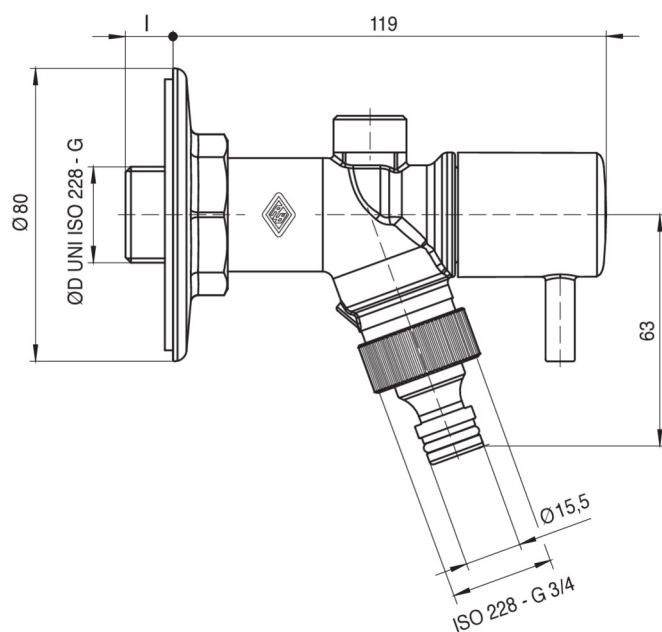


## 4801

Anti-freeze faucet for outdoor applications, with vacuum breaker valve, hose tail connection and chromed handle.



### Technical specifications



SIZE	DN	BOX	MASTER BOX	CODE	ØP	I	KV	PN	KG
1/2"	15	1	8	480104000	12	12	2,4	10	0,66
3/4"	20	1	8	480105000	12	12	2,4	10	0,64

# Applications

---



DRINKING  
WATER