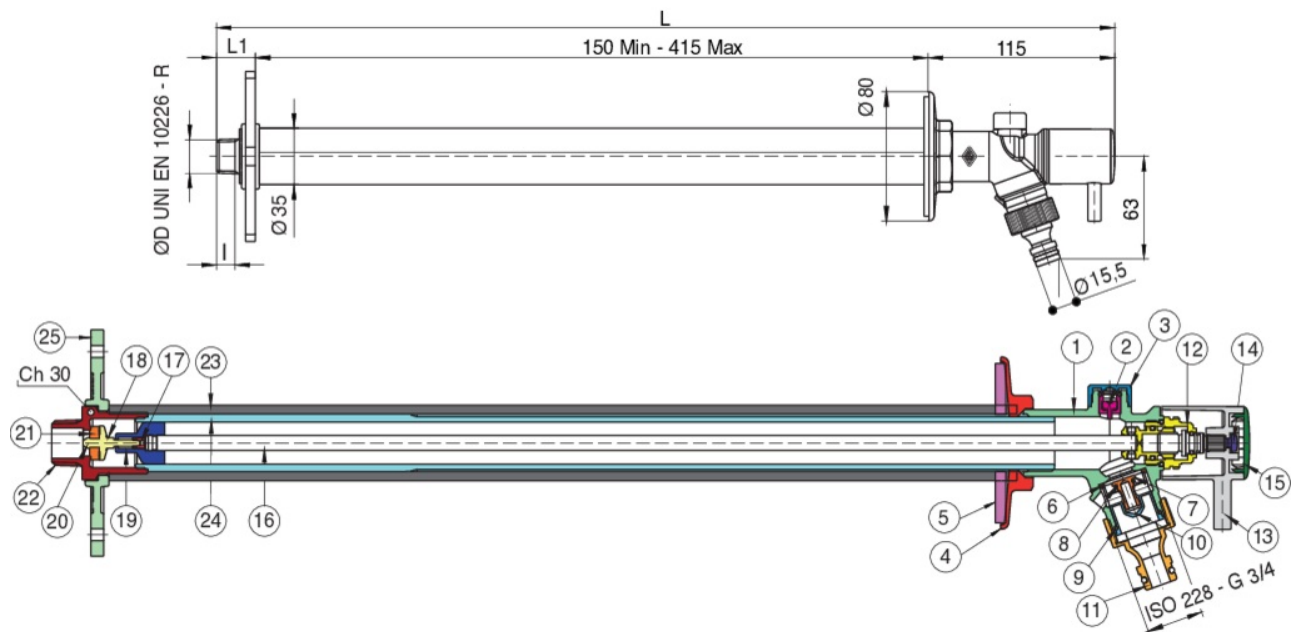


## 4800



Anti-freeze faucet for outdoor applications, with vacuum breaker valve, hose tail connection and chromed handle.

### Technical specifications



POSITION	PART NAME	MATERIAL	N.° PIECES
1	BODY	BRASS CW617N UNI EN 12420	1
2	CHECK VALVE	POM	1
3	VACUUM BREAKER VALVE CAP	BRASS CW614 UNI EN 12164	1
4	CAP	BRASS CW617 UNI EN 12420	1
5	SEALING GASKET	POR 300/60 ASTM D-1056	1
6	FLAT SEAT	NBR	1
7	OBSTRUCTOR	POM	1
8	O-RING	NBR	1
9	O-RING	NBR	1
10	BUSH	POM	1
11	HOSE TAIL	PP	1
12	OBSTRUCTOR	BRASS CW614 UNI EN 12164	1
13	HANDLE	ZAMA/G Zn A14 ALLOY UNI EN 1774	1
14	SCREW	STEEL	1
15	CAP	ABS	1
16	STEM	BRASS CW617 UNI EN 12164	1
17	WASHER	BRASS CW614 UNI EN 12164	1
18	SPRING	STAINLESS STEEL AISI 302	1
19	SUPPORT	POM	1
20	OBSTRUCTOR	BRASS CW614 UNI EN 12164	1
21	FLAT SEAT	NBR	1
22	CONNECTION	BRASS CW617N UNI EN 12420	1
23	INSULATING GASKET	POLYETHYLENE FOAM	1
24	CONNECTION	BRASS CW614 UNI EN 12164	1
25	SUPPORT	PA6	1

SIZE	DN	MASTER BOX	CODE	ØP	I	L	L1	KV	PN	KG
1/2"	15	1	4800040000	12	11,4	554	24	2,4	10	1,72
3/4"	20	1	4800050000	12	12,7	555,5	25,5	2,4	10	1,73

Temperature range: -20°C +90°C.

## Applications



DRINKING  
WATER