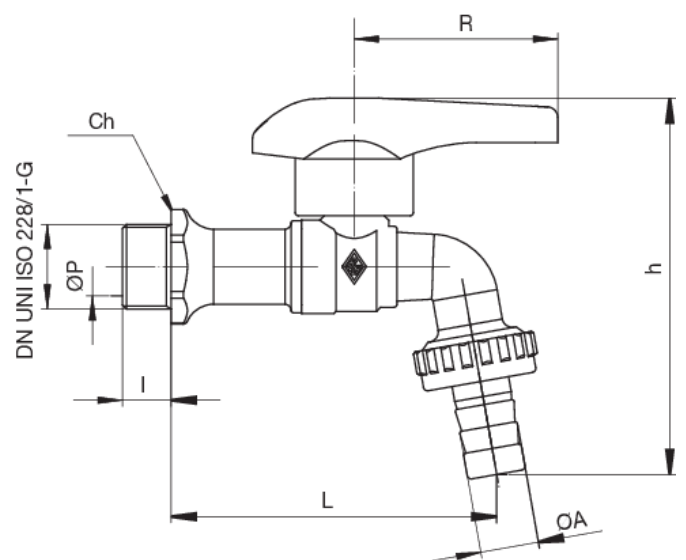
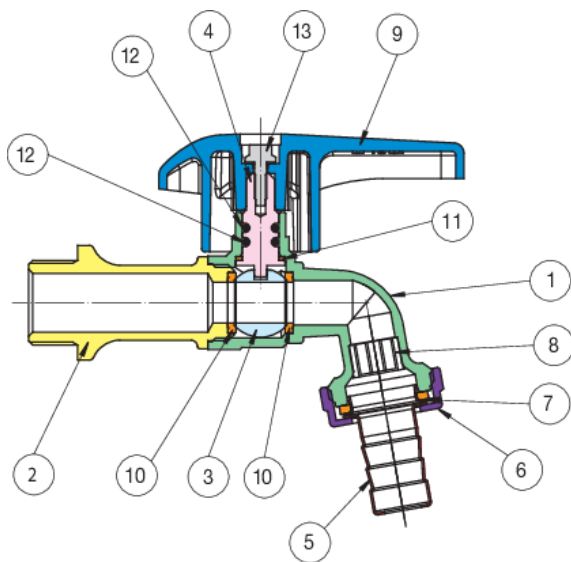


## 4904

Hose ball bib-cock with hose tail connection and aluminium handle.



### Technical specifications



POSITION	PART NAME	MATERIAL	N.° PIECES
1	BODY	BRASS CW617N UNI EN 12165	1
2	END CONNECTION	BRASS CW617N UNI EN 12165	1
3	BALL	BRASS CW614N UNI EN 12164	1
4	STEM	BRASS CW614N UNI EN 12164	1
5	HOSE TAIL	BRASS CW508L	1
6	NUT	BRASS CW617N UNI EN 12165	1
7	FLAT SEAT	PVC	1
8	SPRAY NOZZLE	HDPE	1
9	HANDLE	ALUMINIUM EN-AC 46100 EN 1706	1
10	BALL SEAT	PTFE	2
11	STEM SEAL/THRUST WASHER	PTFE	1
12	O-RING	NBR	2
13	NUT	STEEL CL 4.8	1

SIZE	DN	BOX	MASTER BOX	CODE	ØP	I	CH	ØA	L	H	R	PN	KG
3/8"	10	20	40	4904030000	10	12	25	15,5	79	92,5	50	30	0,21
1/2"	15	20	40	4904040000	10	12	25	15,5	80	92,5	50	30	0,21
3/4"	20	10	20	4904050000	12	15	30	20,5	92	105	50	30	0,30
1"	25	10	20	4904060000	15	18	38	25,5	100	117,5	50	30	0,50

Temperature range: -20°C +90°C.

## Applications



DRINKING  
WATER



HEATING



HVAC



COMPRESSED  
AIR



INDUSTRIAL



MARINE