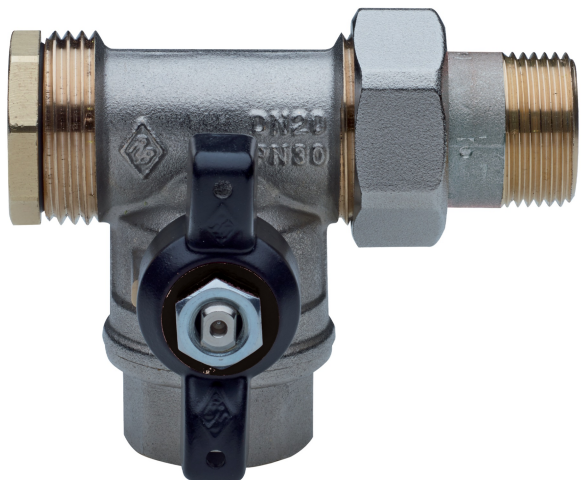


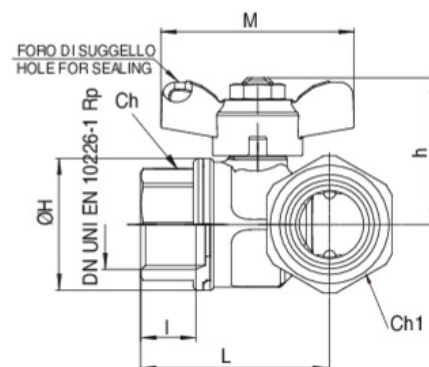
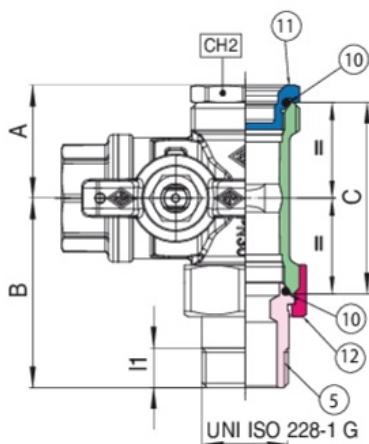
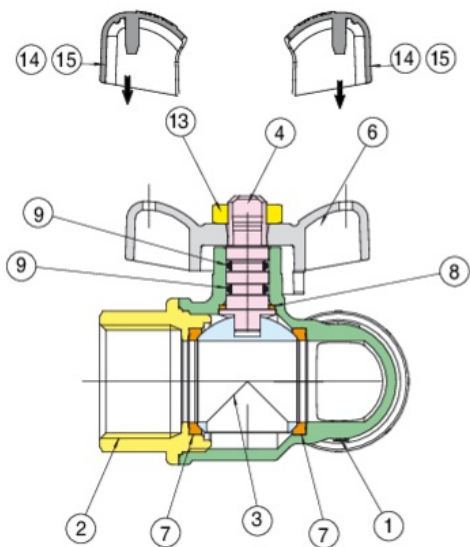
4644

PATENTED



Angle ball valve for right/left manifolds, with front butterfly in black aluminum, red and blue cover to identify hot/cold flow.

Technical specifications



| POSITION | PART NAME | MATERIAL | N.° PIECES |
|----------|----------------|-------------------------------|------------|
| 1 | BODY | BRASS CW617N UNI EN 12420 | 1 |
| 2 | END CONNECTION | BRASS CW617N UNI EN 12420 | 1 |
| 3 | BALL | BRASS CW617N UNI EN 12420 | 1 |
| 4 | STEM | BRASS CW614N UNI EN 12164 | 1 |
| 5 | UNION TAIL | BRASS CW617N UNI EN 12420 | 1 |
| 6 | T-HANDLE | ALUMINIUM EN-AC 46100 EN 1706 | 1 |
| 7 | BALL SEAT | PTFE | 2 |
| 8 | STEM SEAT | PTFE | 1 |
| 9 | O-RING | EPDM | 2 |
| 10 | O-RING | EPDM | 2 |
| 11 | CAP | BRASS CW614N UNI EN 12164 | 1 |
| 12 | NUT | BRASS CW617N UNI EN 12165 | 1 |
| 13 | NUT | STEEL CL 04 | 1 |
| 14 | COVER | RED PE | 1 |
| 15 | COVER | BLUE PE | 1 |

| SIZE | DN | BOX | MASTER BOX | CODE | ØP | I | A | B | C | I1 | ØH | CH | CH1 | CH2 | L | M | H | PN | KG |
|------|----|-----|------------|------------|----|------|------|------|------|----|----|----|-----|-----|----|----|------|----|------|
| 1/2" | 15 | 15 | 30 | 4644040000 | 15 | 15 | 28,5 | 49,5 | 47,5 | 10 | 33 | 25 | 30 | 24 | 48 | 50 | 41,5 | 30 | 0,31 |
| 3/4" | 20 | 15 | 30 | 4644050000 | 20 | 16,3 | 34,5 | 58 | 58,5 | 12 | 39 | 31 | 37 | 31 | 56 | 57 | 43,5 | 30 | 0,51 |
| 1" | 25 | 10 | 20 | 4644060000 | 25 | 19,1 | 42 | 68 | 70,5 | 14 | 49 | 38 | 47 | 40 | 67 | 57 | 46 | 30 | 0,86 |

Temperature range: -20°C +130°C.

Applications



DRINKING
WATER



HEATING



HVAC



COMPRESSED
AIR



INDUSTRIAL



MARINE