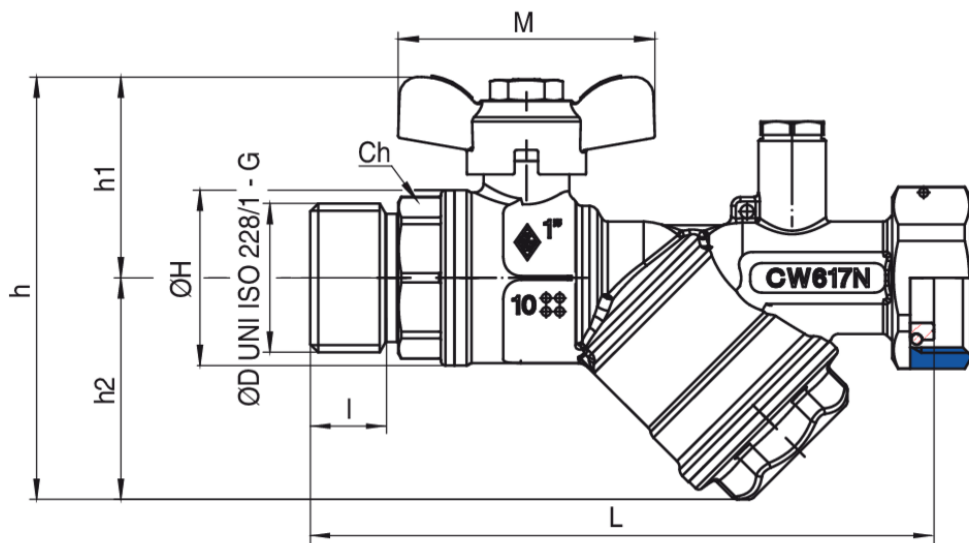


6625



Ball valve with Y strainer and connection for temperature measurement, male thread, swivel nut and black T-handle.

Technical specifications



SIZE	DN	BOX	MASTER BOX	CODE	ØP	I	CH	ØH	L	H1	H2	H	M	KV	PN	KG
3/4" x 1"	15	15	30	6625580000	20	15,5	27	39	138	45	49	94	57	5,6	16	0,62
1" x 1"	15	15	30	6625300000	20	15,5	34	39	138,5	45	49	94	57	5,6	16	0,65

Temperature range: -20°C +140°C.

Applications



DRINKING WATER



HEATING



HVAC



COMPRESSED AIR



INDUSTRIAL



MARINE