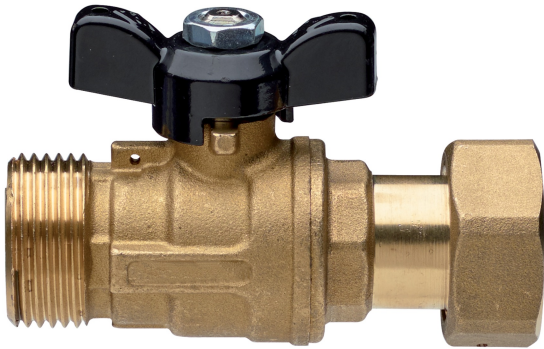
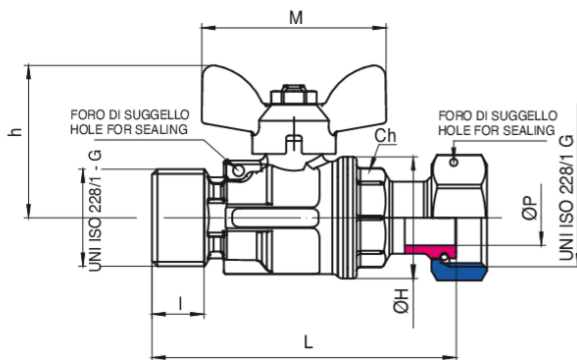


6624

Ball valve for energy metering with male thread, swivel nut and black T-handle.



Technical specifications



SIZE	DN	BOX	MASTER BOX	CODE	ØP	I	CH	ØH	L	H	M	KV	PN	KG
3/4" x 3/4"	20	30	60	6624050000	15	15	25	33	82,5	41	50	16,3	16	0,28
1" x 1"	15	25	50	6624060000	20	15,5	29	39	91	45	57	29,5	16	0,44

Temperature range: -20°C +140°C.

Applications



DRINKING WATER



HEATING



HVAC



COMPRESSED AIR



INDUSTRIAL



MARINE