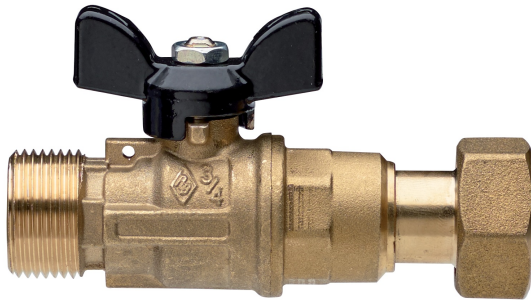
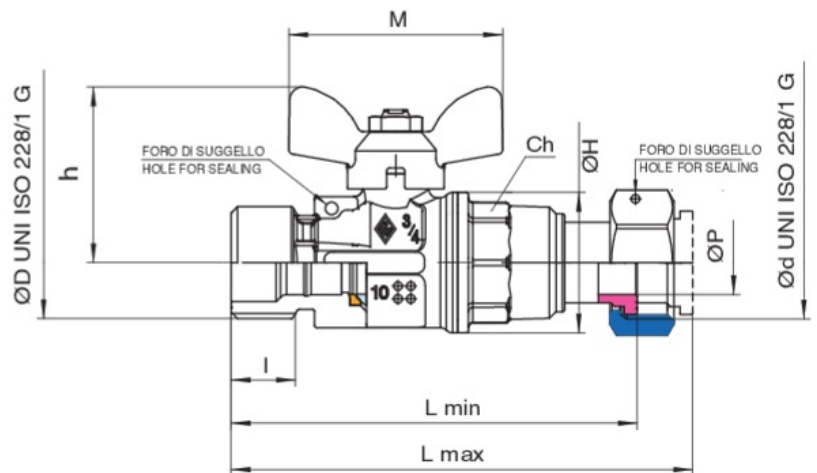
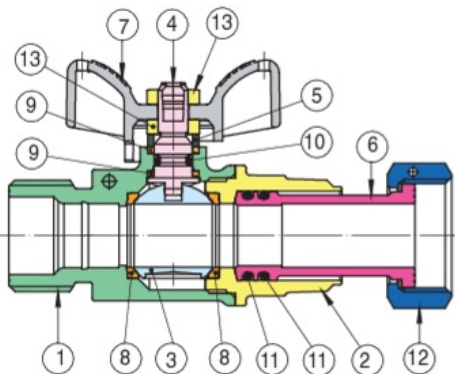


6623



Ball valve for energy metering with male thread, telescopic swivel nut and black T-handle.

Technical specifications



POSITION	PART NAME	MATERIAL	N.° PIECES
1	BODY	BRASS CW617N UNI EN 12420	1
2	END CONNECTION	BRASS CW617N UNI EN 12165	1
3	BALL	BRASS CW617N UNI EN 12165	1
4	STEM	BRASS CW614N UNI EN 12164	1
5	PACKING GLAND	BRASS CW614N UNI EN 12164	1
6	UNION TAIL	BRASS CW614N UNI EN 12164	1
7	T-HANDLE	ALUMINIUM EN-AC 46100 EN 1706	1
8	BALL SEAT	PTFE	2
9	STEM SEAT	PTFE	2
10	O-RING	EPDM	1
11	O-RING	EPDM PEROX	2
12	NUT	BRASS CW617N UNI EN 12420	1
13	NUT	STEEL CL 04	2

SIZE	DN	BOX	MASTER BOX	CODE	ØP	I	CH	ØH	L MIN	L MAX	H	M	KV	PN	KG
3/4" x 3/4"	20	10	20	6623050000	15	15	27	33	95	108	41	50	16,3	16	0,31
1" x 1"	25	20	40	6623060000	20	15,5	34	39	101	117	45	57	29,5	16	0,49

Temperature range: -20°C +140°C.

Applications



DRINKING
WATER



HEATING



HVAC



COMPRESSED
AIR



INDUSTRIAL



MARINE