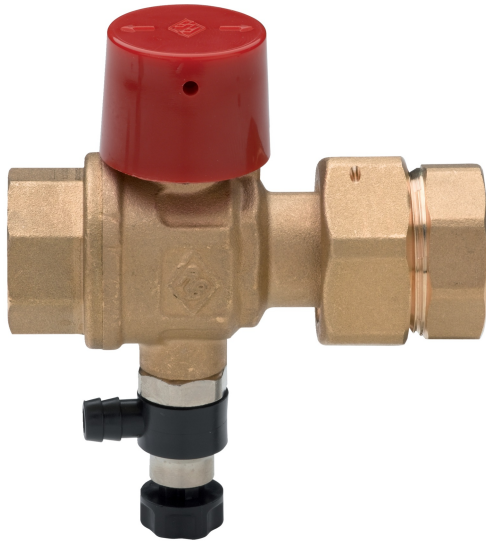


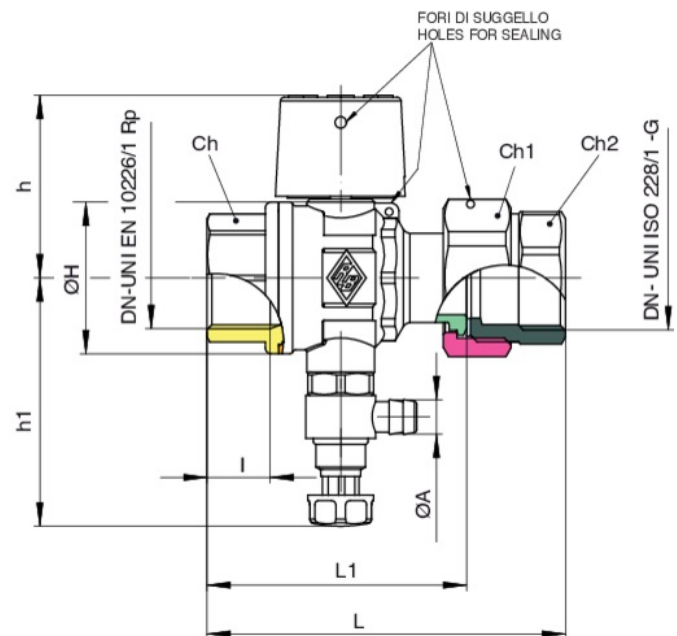
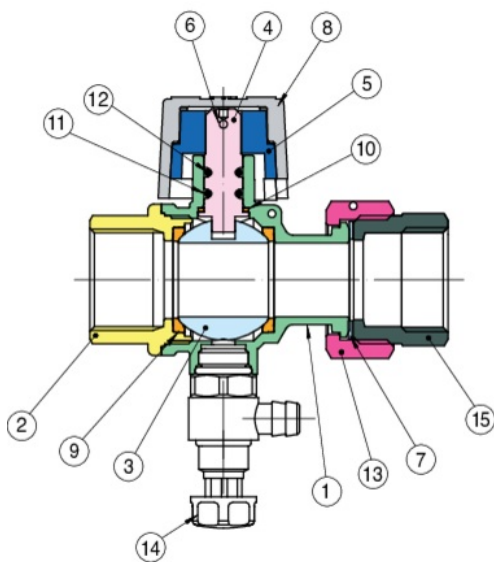
4634

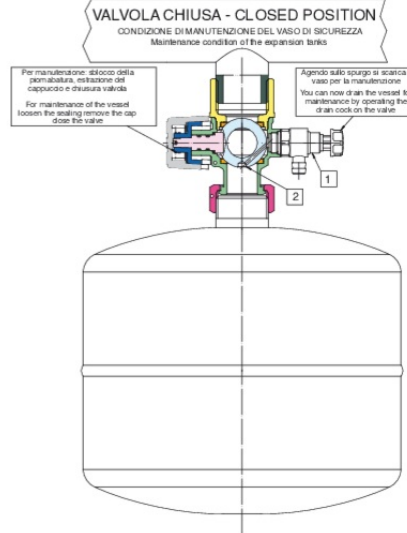
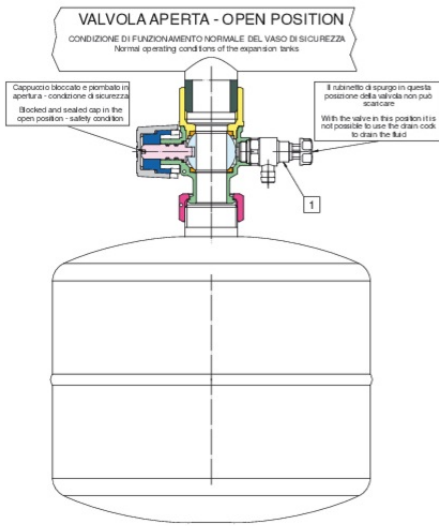
PATENTED



Ball valve with drain cock for expansion tanks with sealable cap.

## Technical specifications





POSITION	PART NAME	MATERIAL	N.° PIECES
1	BODY	BRASS CW617N UNI EN 12165	1
2	END CONNECTION	BRASS CW617N UNI EN 12165	1
3	BALL	BRASS CW614N UNI EN 12164	1
4	STEM	BRASS CW614N UNI EN 12164	1
5	CAP	ZAMA/G ZN Al4 ALLOY	1
6	LOCK PIN	STAINLESS STEEL AISI 303	1
7	FLAT SEAT	FIBER	1
8	CAP	PE	1
9	BALL SEAT	PTFE	2
10	ANTIFRICTION SEAT	PTFE	1
11	O-RING	NBR	1
12	O-RING	FKM	1
13	NUT	BRASS CW617N UNI EN 12165	1
14	DRAIN VALVE	BRASS CW614N UNI EN 12164	1
15	ADAPTER*	BRASS CW617N UNI EN 12165	1

\*Supplied in size 3/4"x3/4" only.

SIZE	DN	BOX	MASTER BOX	CODE	I	CH	CH1	CH2	ØH	ØA	L	L1	H	H1	PN	KG
3/4" x 3/4"	20	5	20	4634270000	16,3	31	37	34	39	9	93	-	52	64	16	0,49
1" x 1"	25	10	20	4634300000	19,1	38	37	-	41	9	-	73	52	64	16	0,44

Temperature range: -20°C +85°C.

## Applications



DRINKING WATER



HEATING



HVAC



COMPRESSED AIR



INDUSTRIAL



MARINE