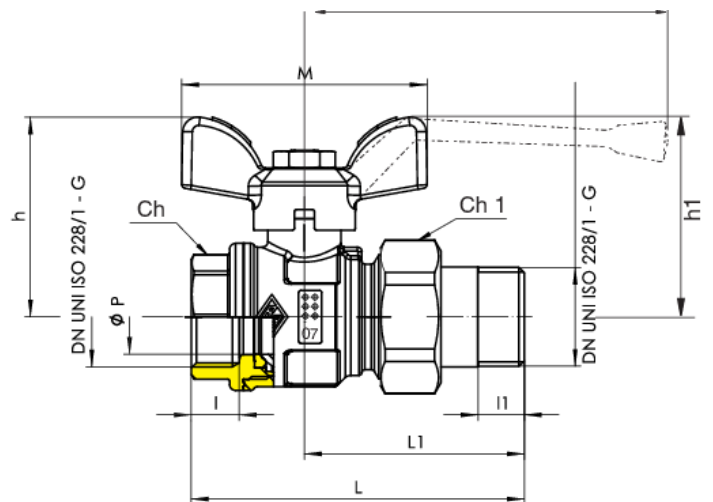
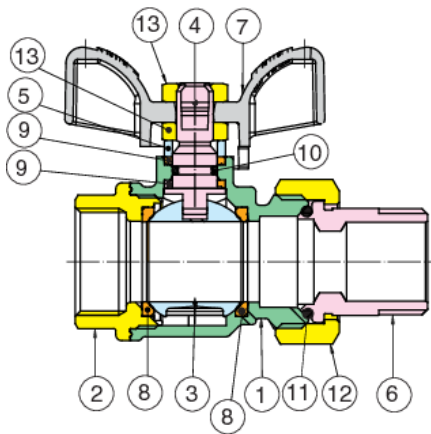


4604

Full bore ball valve, female threaded and male union tail for manifold, with aluminium T-handle.



Technical specifications



POSITION	PART NAME	MATERIAL	N.° PIECES
1	BODY	BRASS CW617N UNI EN 12165	1
2	END CONNECTION	BRASS CW617N UNI EN 12165	1
3	BALL	BRASS CW617N UNI EN 12165	1
4	STEM	BRASS CW614N UNI EN 12164	1
5	PACKING GLAND	BRASS CW614N UNI EN 12164	1
6	UNION TAIL	BRASS CW617N UNI EN 12165	1
7	T-HANDLE	ALUMINIUM EN-AC 46100 EN 1706	1
8	BALL SEAT	PTFE	2
9	THRUST WASHER	PTFE	2
10	O-RING	NBR	1
11	O-RING	EPDM	1
12	NUT	BRASS CW617N UNI EN 12165	1
13	NUT	STEEL CL 04	2

Temperature range: -20°C +160°C.

*Version with reversible aluminium handle.

SIZE	DN	BOX	MASTER BOX	CODE	ØP	I	I1	CH	CH1	L	L1	H	H1	M	R	KV	PN	KG
1/2"	15	20	80	4604250000	15	13,5	10	25	30	81	53	41,5	-	50	-	16,3	50	0,25
3/4"	20	10	40	4604270000	20	12,5	12	31	37	88,5	59	43	-	64	-	29,5	50	0,39
1"	25	10	20	4604300000	25	15	14	38	47	103	68	57	-	64	-	43	50	0,68
*1"1/4	32	6	12	4604350000	32	17	16	48	52	127,5	87	-	79,5	-	160	89	50	1,05

Applications



DRINKING
WATER



HEATING



HVAC



COMPRESSED
AIR



INDUSTRIAL



MARINE