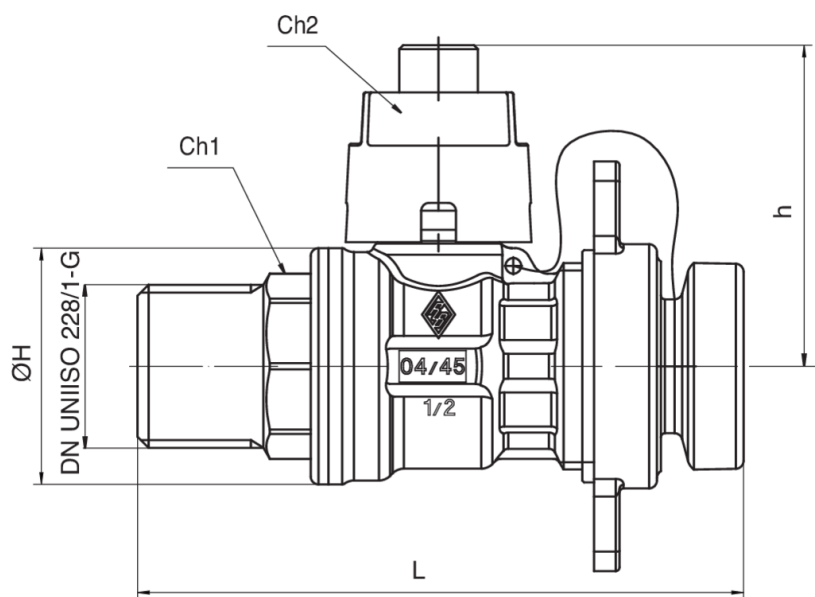


4571

Drain ball valve for heater, nickel plated, male threaded, with square cap and chain.



Technical specifications



SIZE	DN	BOX	MASTER BOX	CODE	ØH	L	H	CH1	CH2	KV	PN	KG
1/2"	15	20	80	4571040000	30	77	41	22	13,5	16,3	30	0,24

Temperature range: -20°C +160°C.

Applications



DRINKING WATER



HEATING



HVAC



COMPRESSED AIR



INDUSTRIAL



MARINE