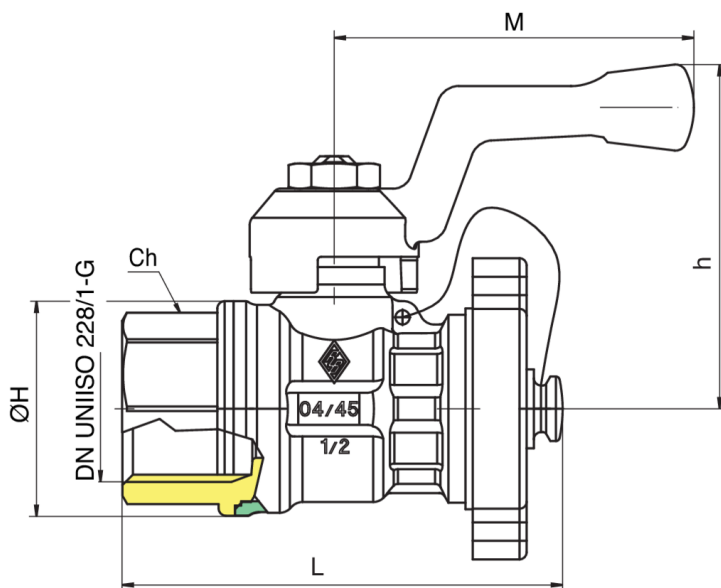


## 4560

Drain ball valve for heater, nickel plated, female threaded, with aluminium handle, cap and chain.



### Technical specifications



SIZE	DN	BOX	MASTER BOX	CODE	ØH	CH	M	L	H	KV	PN	KG
1/2"	15	20	80	4560040000	30	25	50	61	48	16,3	30	0,18

Temperature range: -20°C +160°C.

# Applications



DRINKING WATER



HEATING



HVAC



COMPRESSED AIR



INDUSTRIAL



MARINE