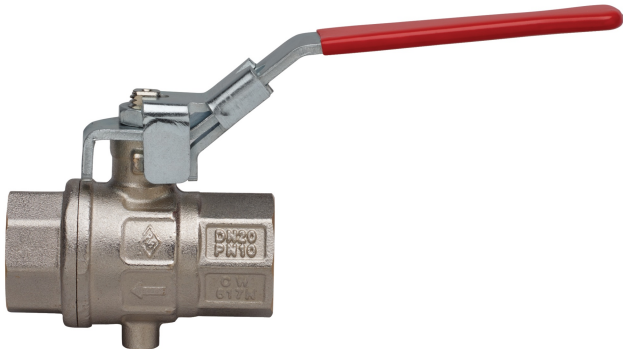
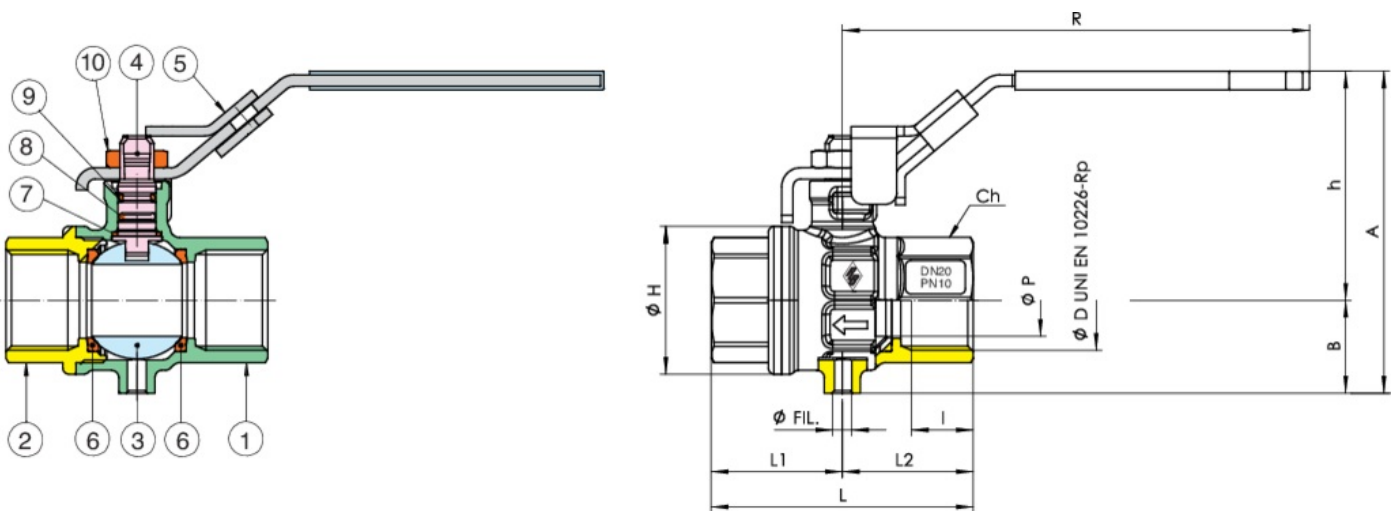


5110

Full bore ball valve, F/F threaded, with drain hole and lockable steel handle.



Technical specifications



POSITION	PART NAME	MATERIAL	N.° PIECES
1	BODY	BRASS CW617N UNI EN 12420	1
2	END CONNECTION	BRASS CW617N UNI EN 12420	1
3	BALL	BRASS CW614N UNI EN 12164	1
4	STEM	BRASS CW614N UNI EN 12164	1
5	HANDLE	STEEL DD11 UNI EN 10111	1
6	BALL SEAT	PTFE	2
7	STEM SEAL/THRUST WASHER	PTFE	1
8	O-RING	NBR	1
9	O-RING	FKM	1
10	NUT	STEEL CL 04	1

SIZE	DN	BOX	MASTER BOX	CODE	ØP	A	B	H	ØH	I	L	L1	L2	R	CH	ØFIL	KV	PN	KG
1/4"	8	20	80	5110020000	10	61,5	15,5	46	23	11	51,5	27,5	24	96	20	M5	5,4	10	0,18
3/8"	10	20	80	5110030000	10	61,5	15,5	46	23	11,4	51,5	27,5	24	96	20	M5	6	10	0,16
1/2"	15	20	80	5110040000	14	69,7	20	49,7	33	15	62	31	31	96	25	M5	15,7	10	0,24
3/4"	20	10	40	5110050000	19	85	24,5	60,5	39	16,3	69	34,5	34,5	123	31	M5	28	10	0,40
1"	25	10	20	5110060000	24	94,3	29	65,3	49	19,1	83	41,5	41,5	123	38	M5	41,5	10	0,61

Temperature range: -10°C +100°C.

Applications



DRINKING
WATER



HEATING



HVAC



COMPRESSED
AIR



INDUSTRIAL



MARINE