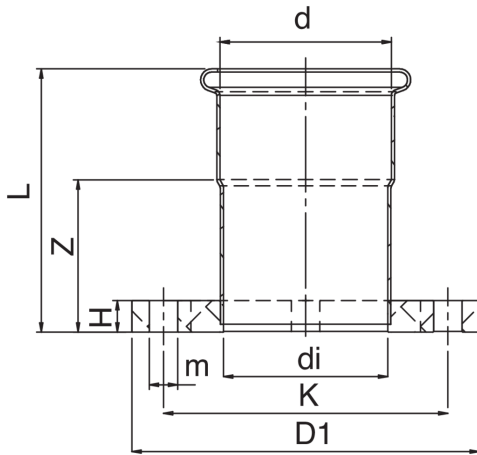




PN16 F flanged joint.

## Technical specifications



D	BAG	MASTER BOX	CODE	DI	D1	H	K	L	M	Z	N° HOLE
66,7	1	2	AC0273067000000	63	185	18	145	125	18	80	4
76,1	1	2	AC0273076000000	72	185	18	145	134	18	79	4
88,9	1	2	AC0273089000000	85	200	20	160	141	18	78	8
108	1	2	AC0273108000000	104	220	20	180	166	18	89	8

## Applications



HEATING



HVAC



COMPRESSED  
AIR