

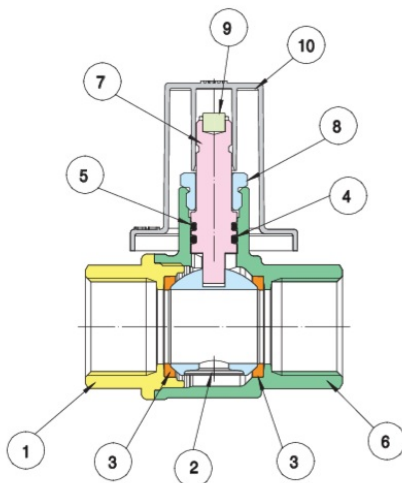
4391

Built-in full bore ball valve, F/F threaded, with protection cover.

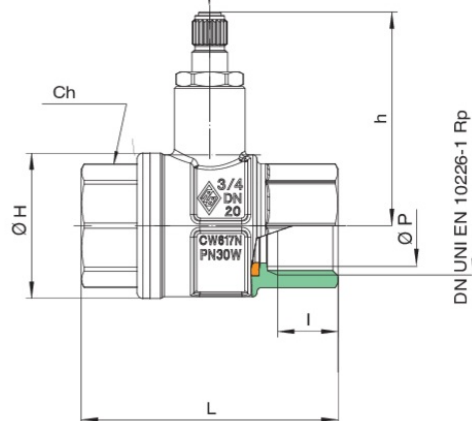


NEW

Technical specifications



ATTACCO RAPIDO SPECIALE CON MAGNETE
 SPECIAL QUICK CONNECTION WITH MAGNET



DN UNI EN 10226-1 Rp

POSITION	PART NAME	MATERIAL	N.° PIECES
1	END CONNECTION	BRASS CW617N UNI EN 12420	1
2	BALL	BRASS CW617N UNI EN 12420	1
3	BALL SEAT	PTFE	2
4	O-RING	NBR	1
5	O-RING	FKM	1
6	BODY	BRASS CW617N UNI EN 12420	1
7	STEM	BRASS CW614N UNI EN12164-UNI EN12168	1
8	STEM RETAINING NUT	BRASS CW614N UNI EN12164-UNI EN12168	1
9	MAGNET	NEODIMIO	1
10	COVER	POLY PROPYLENE	1

SIZE	DN	BOX	MASTER BOX	CODE	ØP	I	L	H	ØH	CH	KV	PN	KG
1/2"	15	10	40	4391040000	15	15	62	54	33	25	16,3	30	0,226
3/4"	20	10	20	4391050000	20	16,3	69	57,5	39	31	29,5	30	0,346
1"	25	10	20	4391060000	25	19,1	83	61	49	38	43	30	0,52

Temperature range: -20°C +90°C.

Applications



DRINKING
WATER



HEATING



HVAC



COMPRESSED
AIR



INDUSTRIAL



MARINE